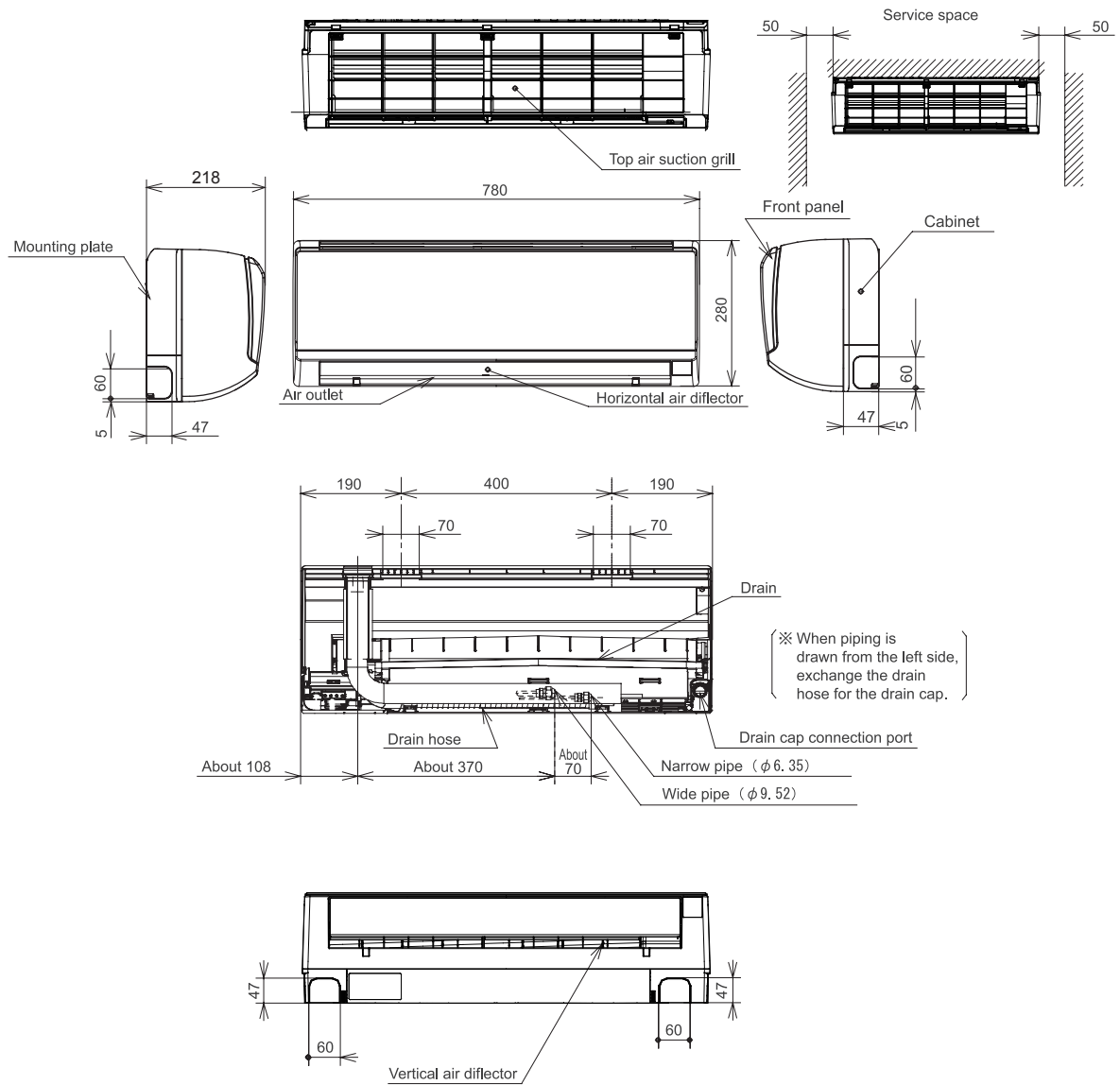


# CONSTRUCTION AND DIMENSIONAL DIAGRAM

MODEL RAK-18PPA,RAK-25PPA,RAK-35PPA

## INDOOR UNIT

Unit : mm

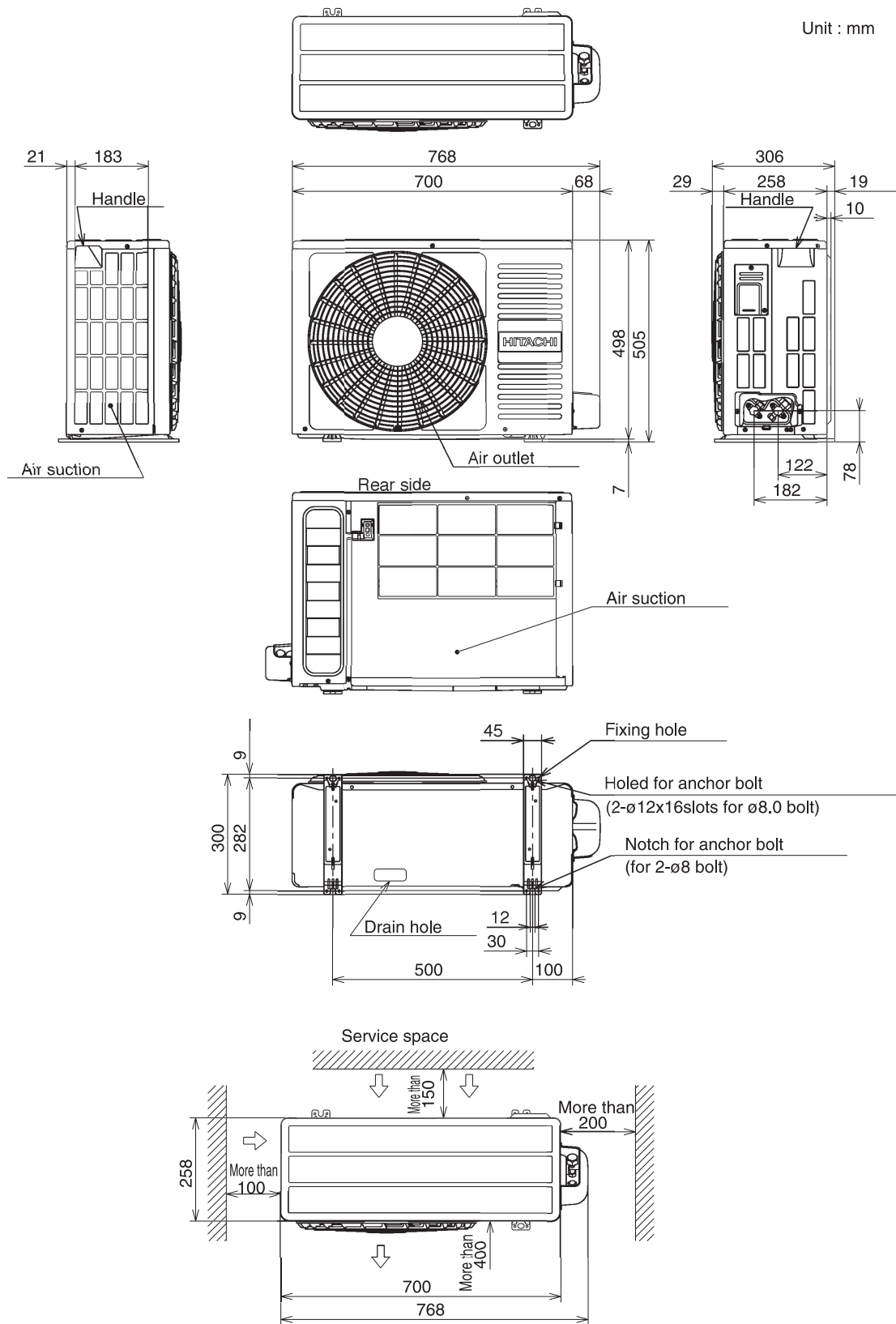


# CONSTRUCTION AND DIMENSIONAL DIAGRAM

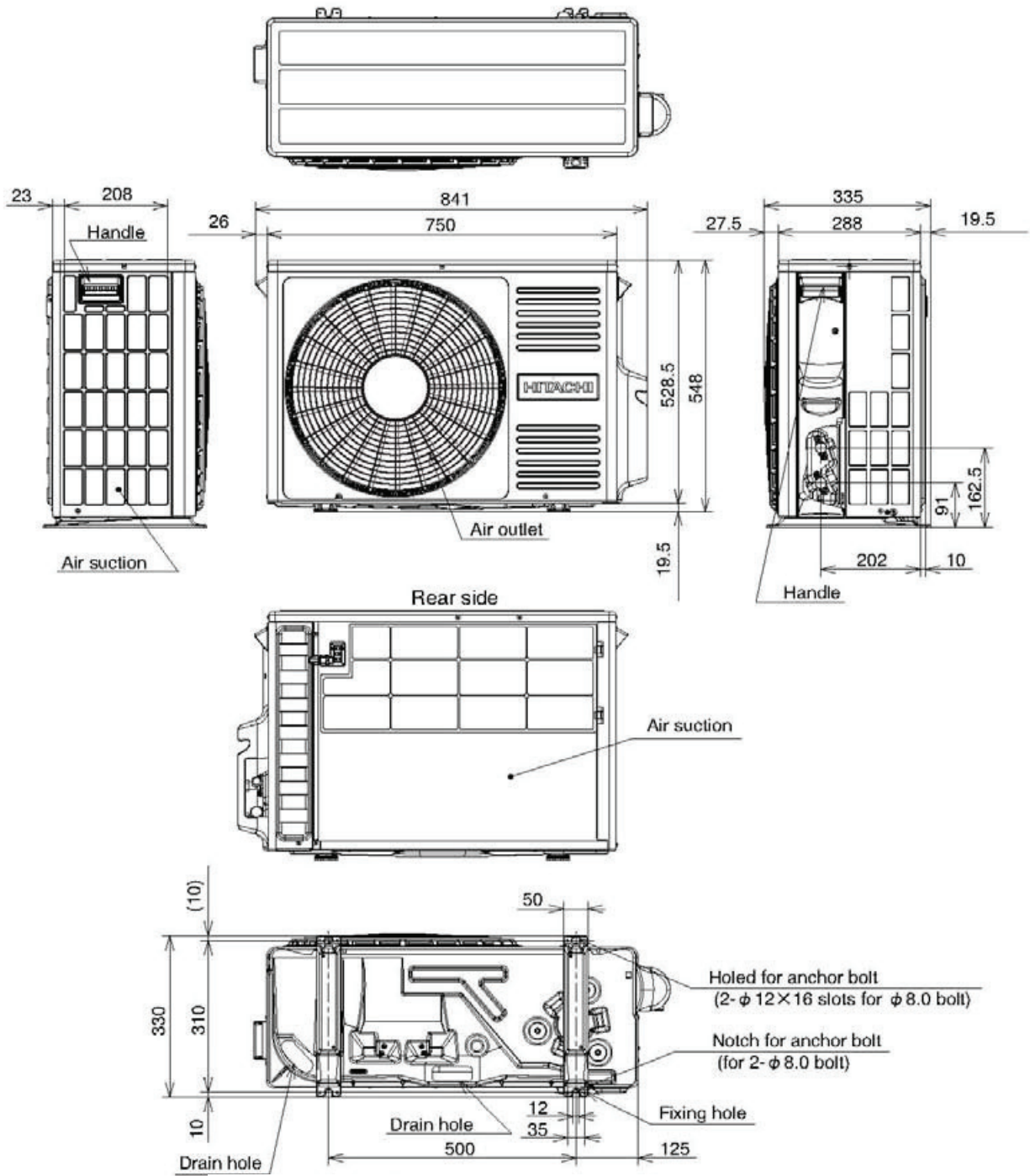
MODEL RAC-18WPA,RAC-25WPA

OUTDOOR UNIT

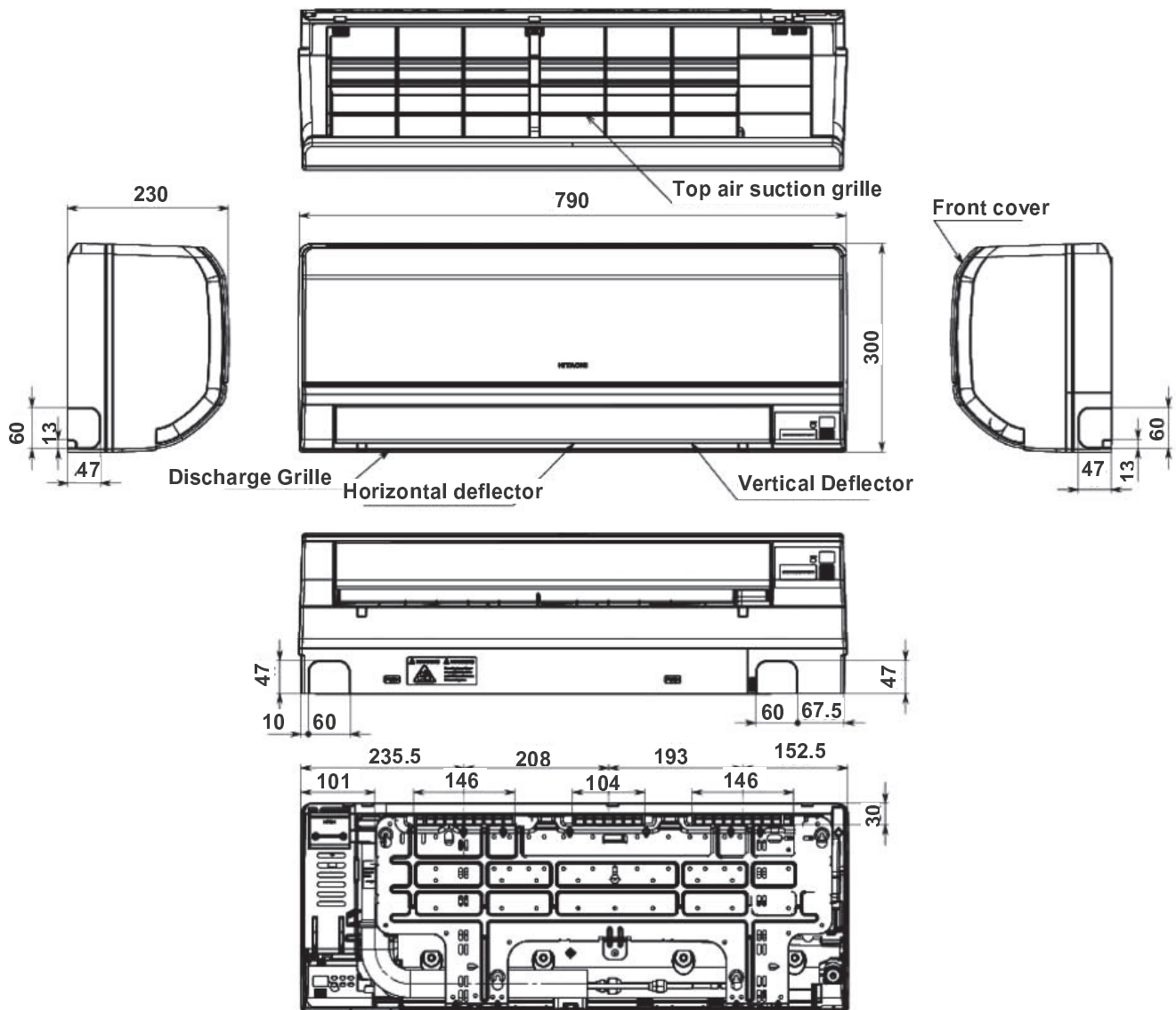
Unit : mm



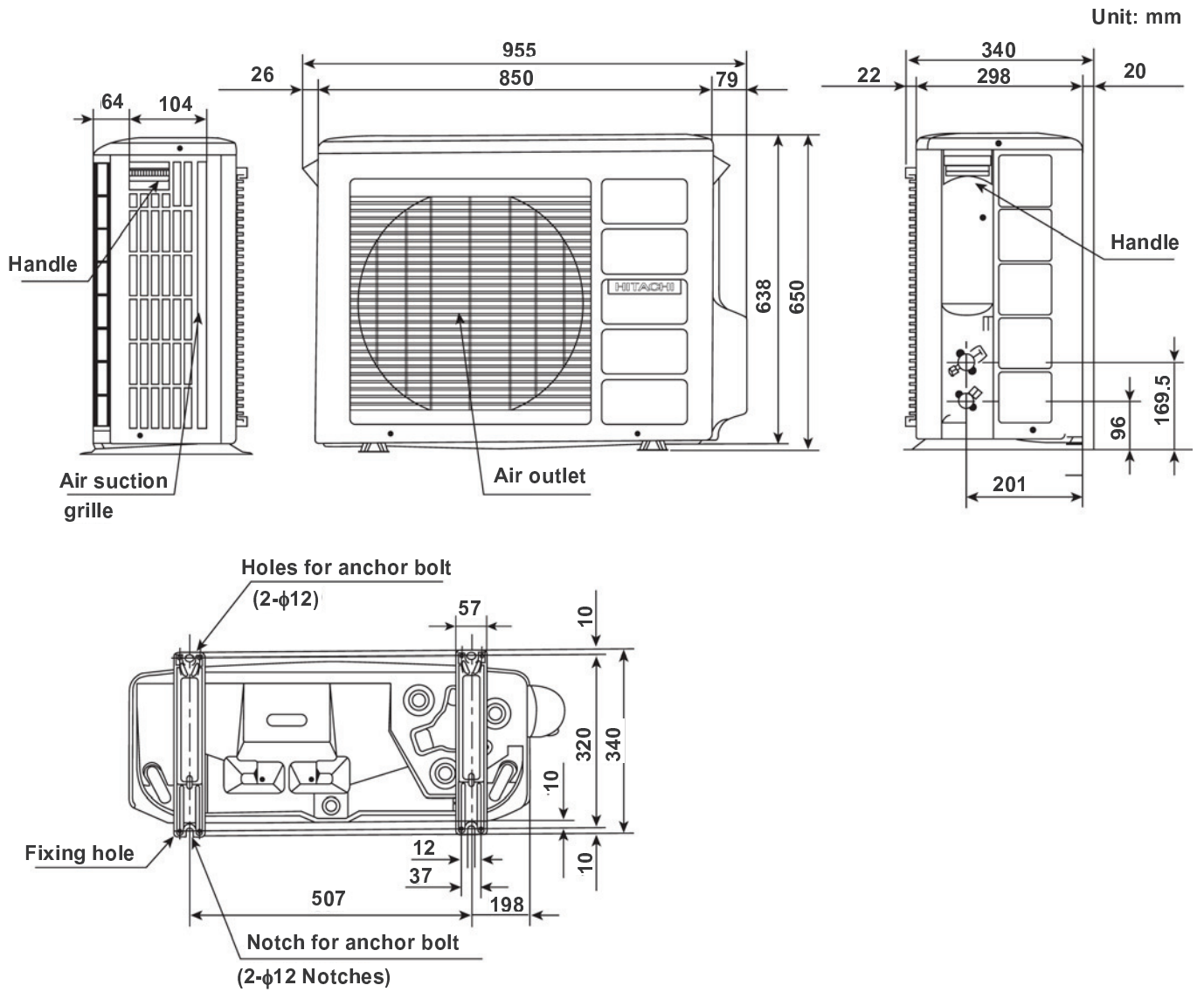
3.3.10. WALL TYPE: RAC-35WPA



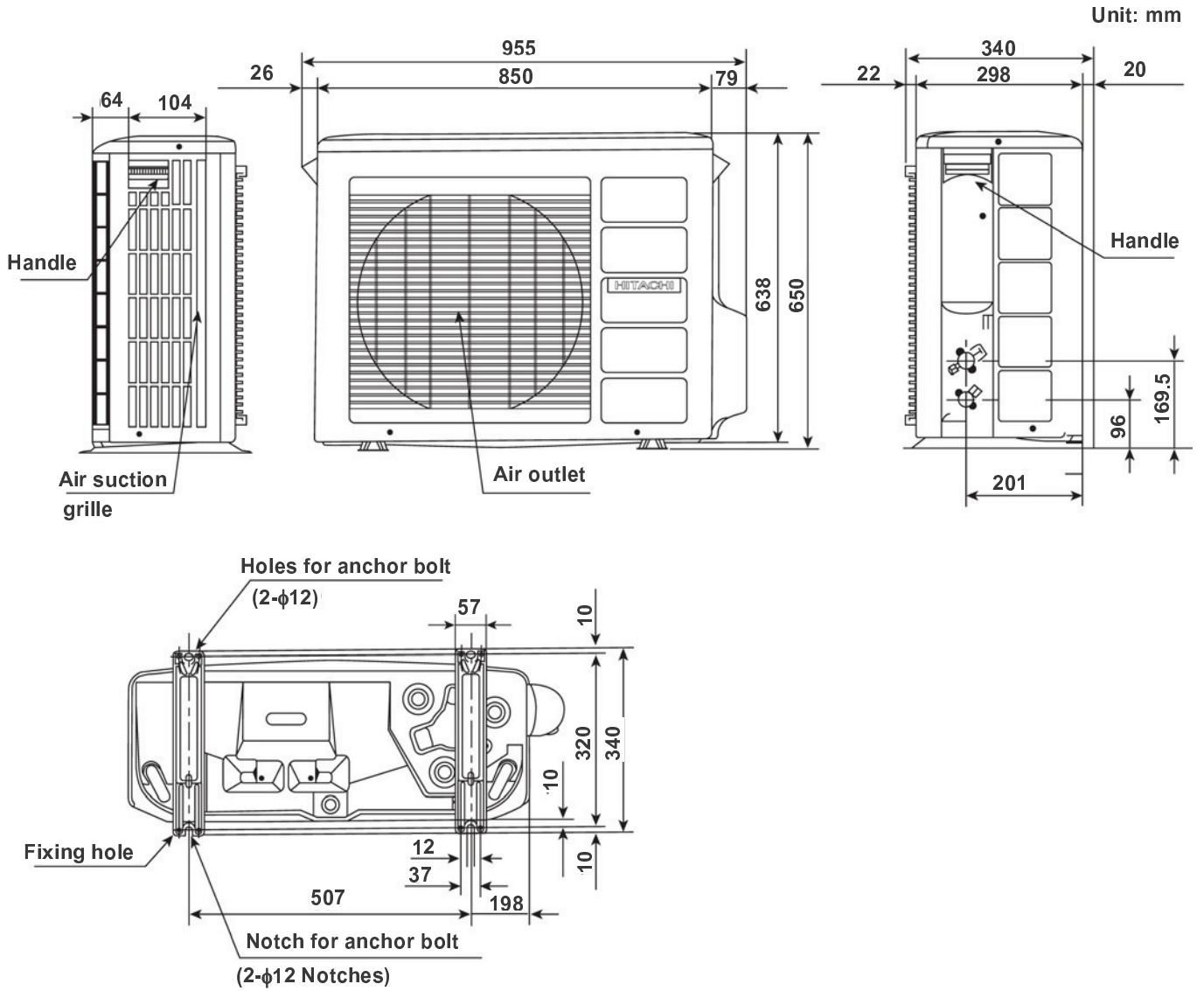
3.3.11. WALL TYPE: RAK-50PPA



3.3.12. WALL TYPE: RAC-50WPA

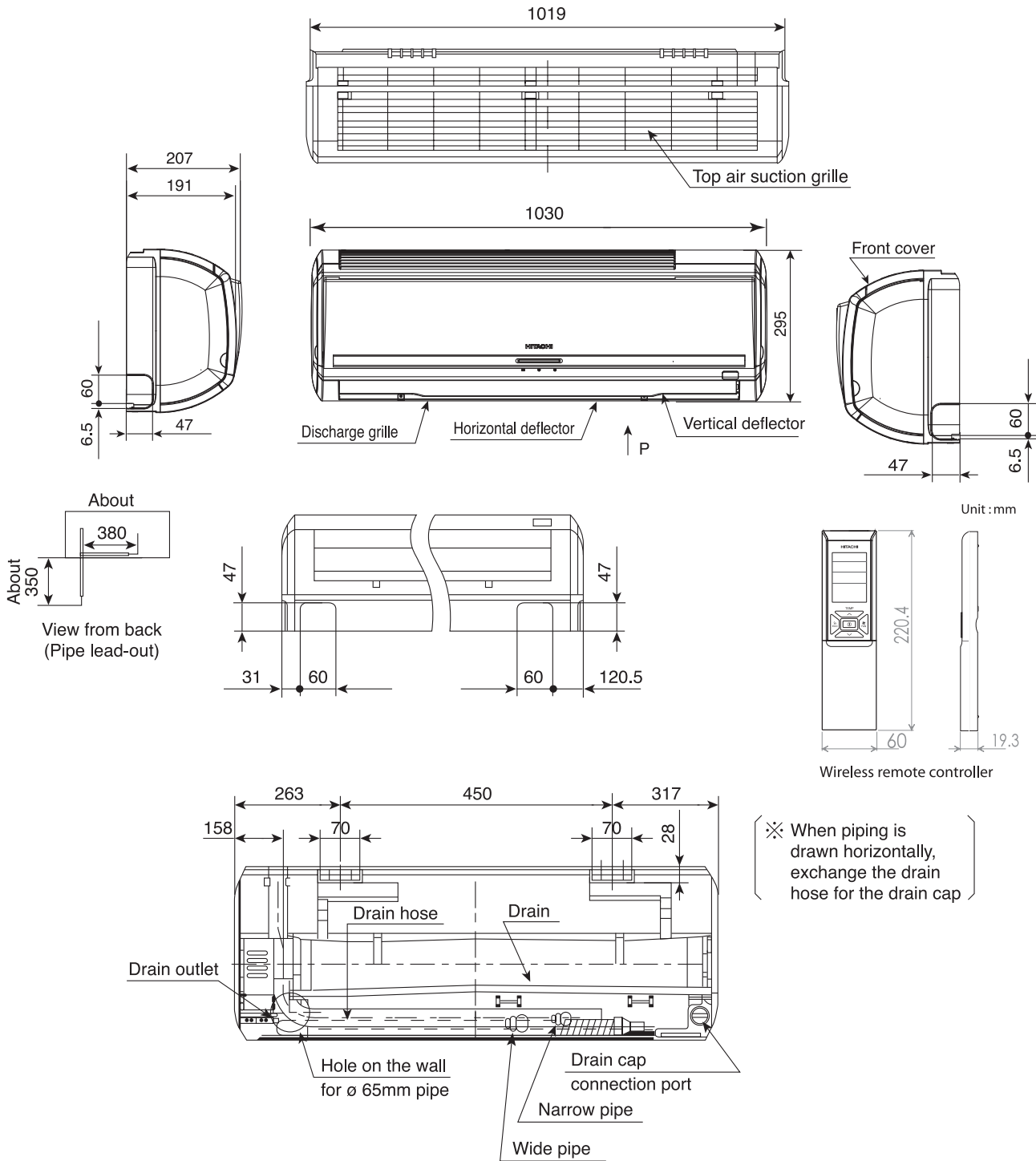


3.3.12. WALL TYPE: RAC-50WPA



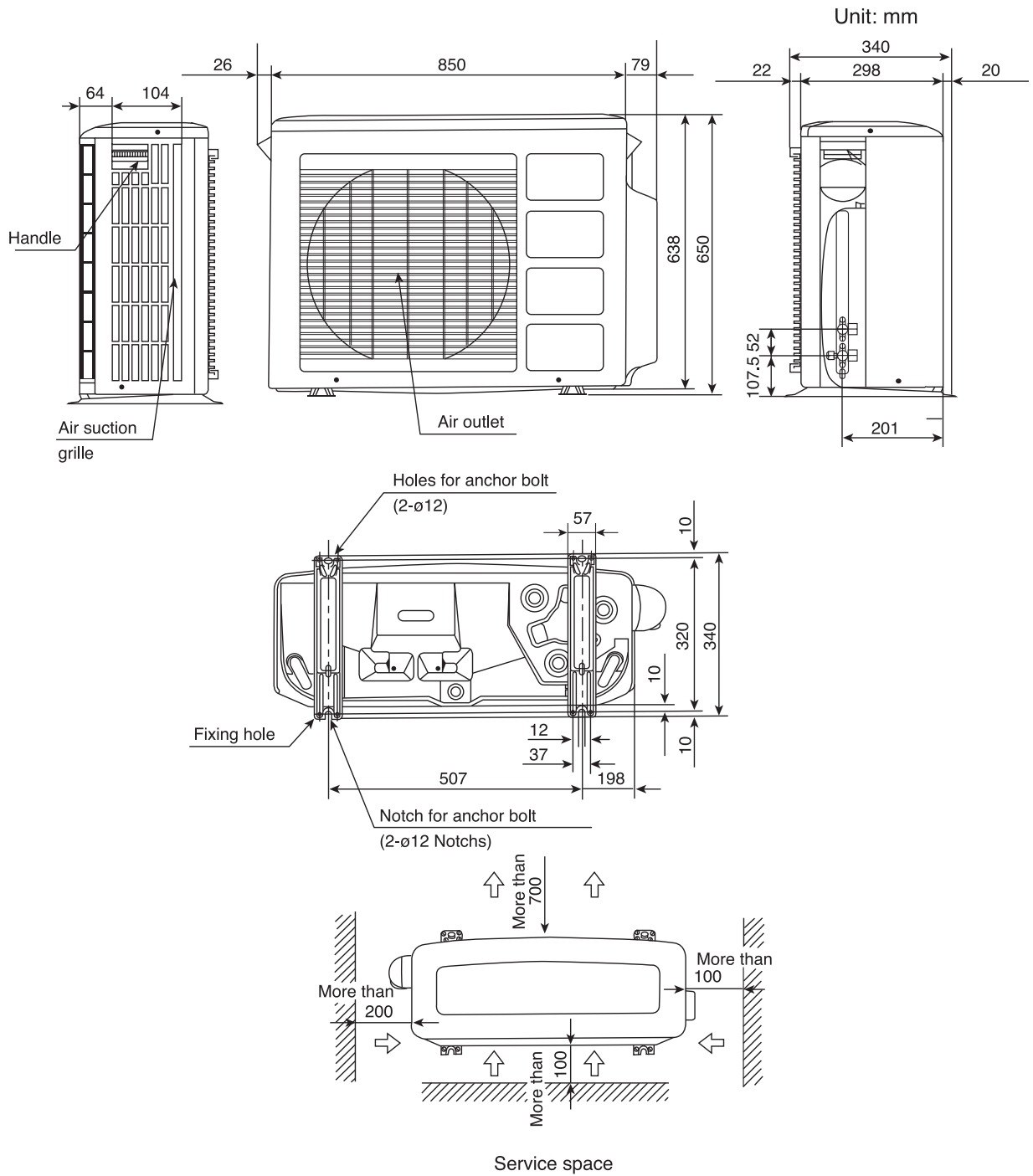
# CONSTRUCTION AND DIMENSIONAL DIAGRAM

## MODEL RAK-60PPA



# CONSTRUCTION AND DIMENSIONAL DIAGRAM

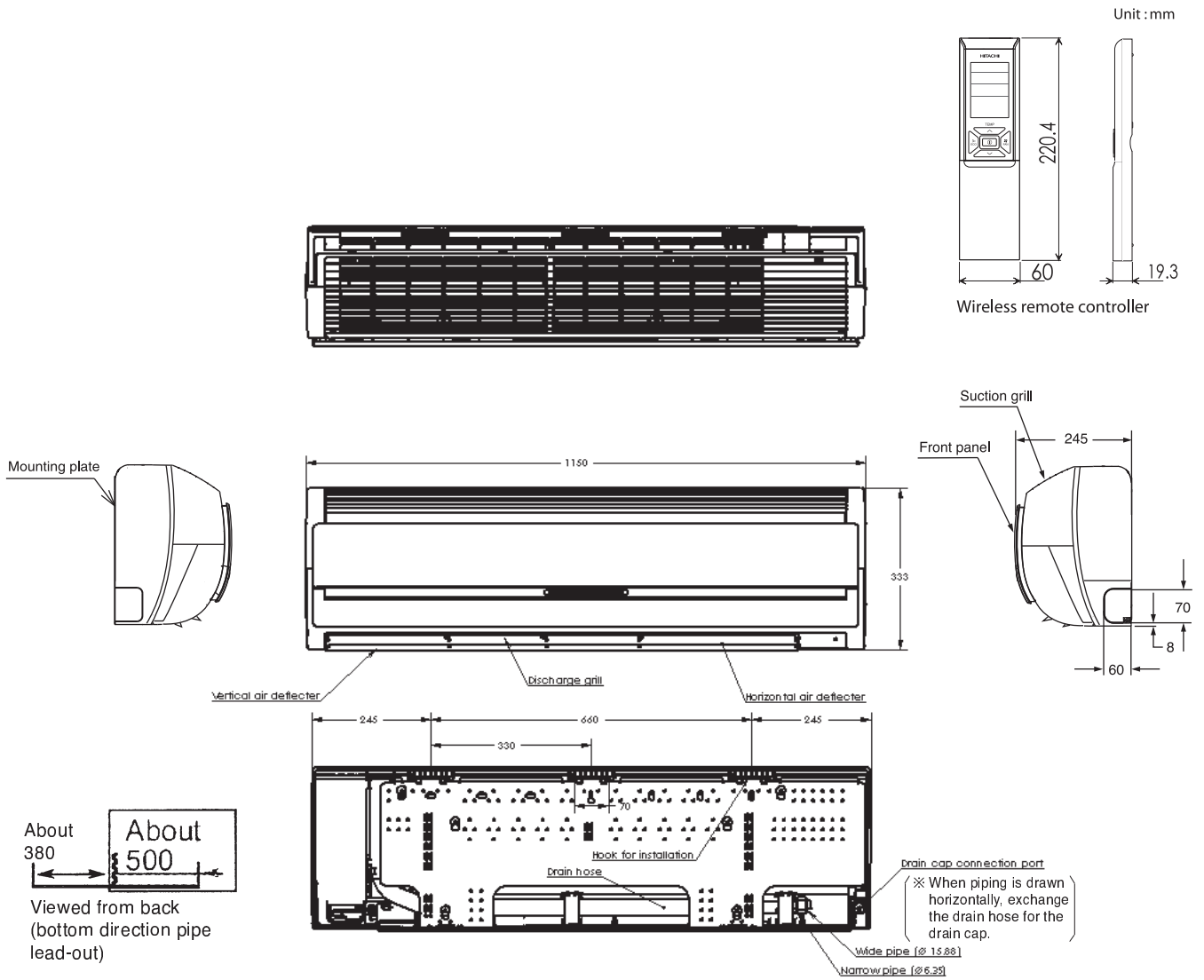
MODEL RAC-60WPA





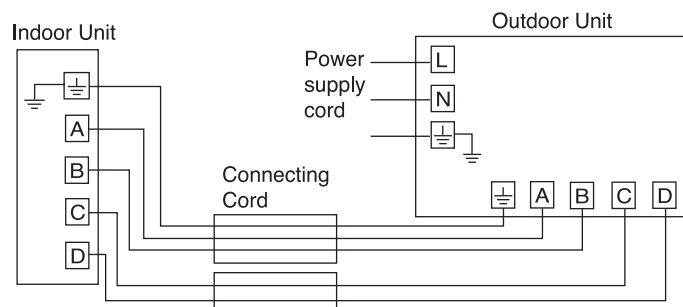
# CONSTRUCTION AND DIMENSIONAL DIAGRAM

MODEL RAK-70PPA



## Note:

1. Service space (free space needed for servicing) is 200mm on the right, 100mm on the left and 50mm on top.
2. The wide and narrow pipes must be thermally insulated.
3. Piping length is within 30m
4. Height different of the piping between the indoor unit and the outdoor unit should be within 20m.
5. Power supply cord length is about 2m
6. Connecting cable 2.5mm dia. x 3 (AB Line), 1.6mm dia. x 2 (CD Line) is used for the connection.



MODEL RAC-70WPA

