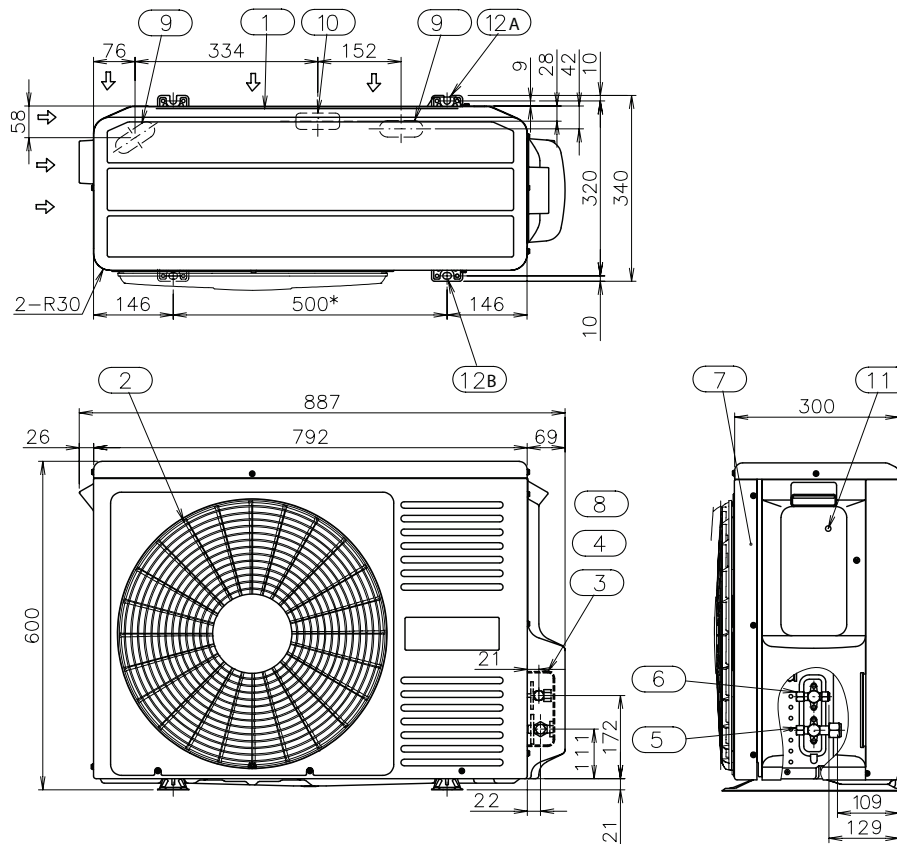


7.1 Dimensions

7.1.1 IVX Premium series

◆ RAS-(2/2.5)HVNP1 / RAS-3HVNC1

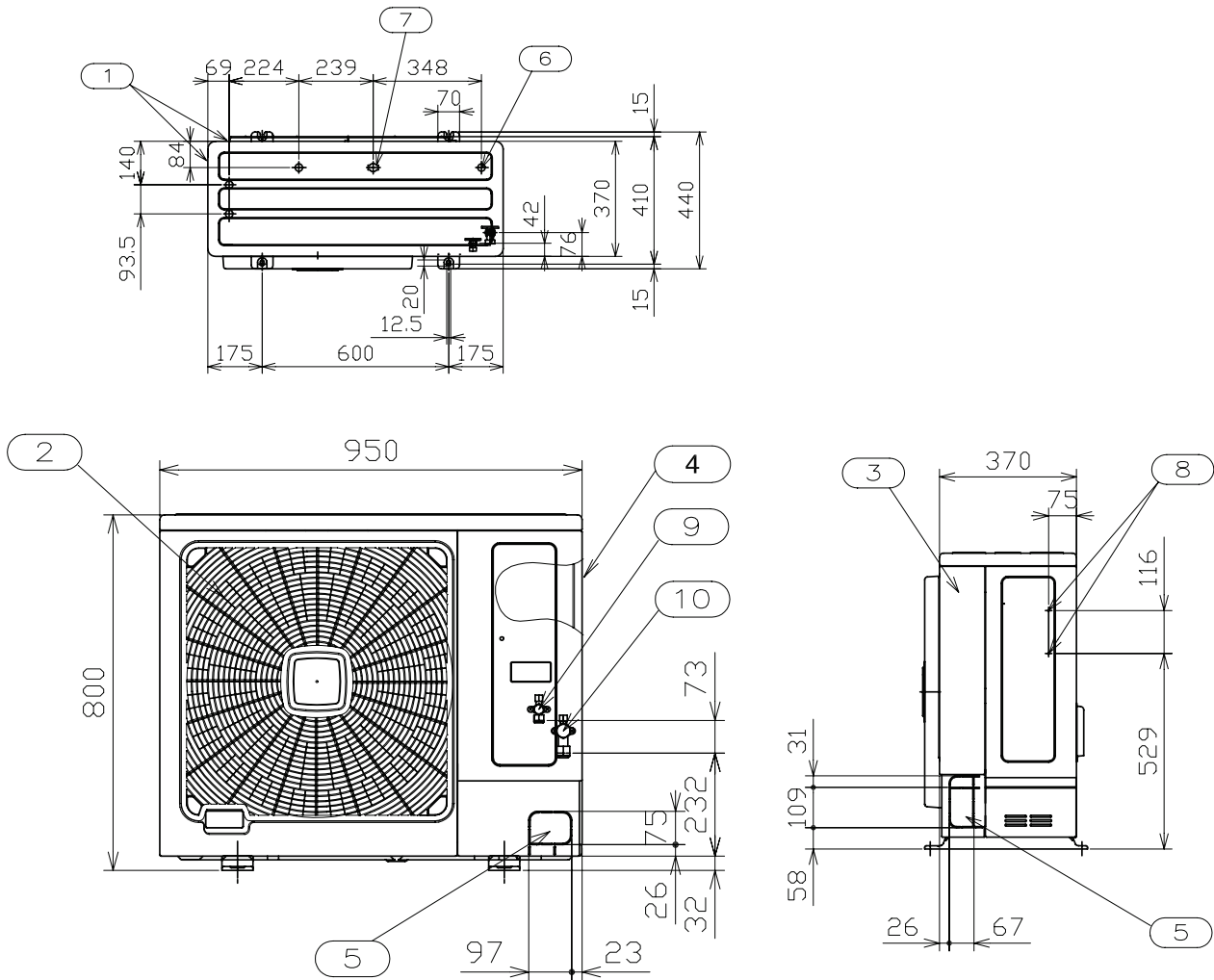


Units in mm.

No.	Description	Remarks
1	Air inlet	—
2	Air outlet	—
3	Holes for power supply wiring	—
4	Holes for control line wiring	—
5	Gas piping connection	—
6	Liquid piping connection	—
7	Service panel	—
8	Refrigerant piping hole	—
9	Drain hole	—
10	Drain hole	—
11	Earth terminal wiring	(M5)
12	Holes for fixing machine to wall	A: 2-U cut holes / B: 2 - holes



◆ **RAS-3HVNP1E**



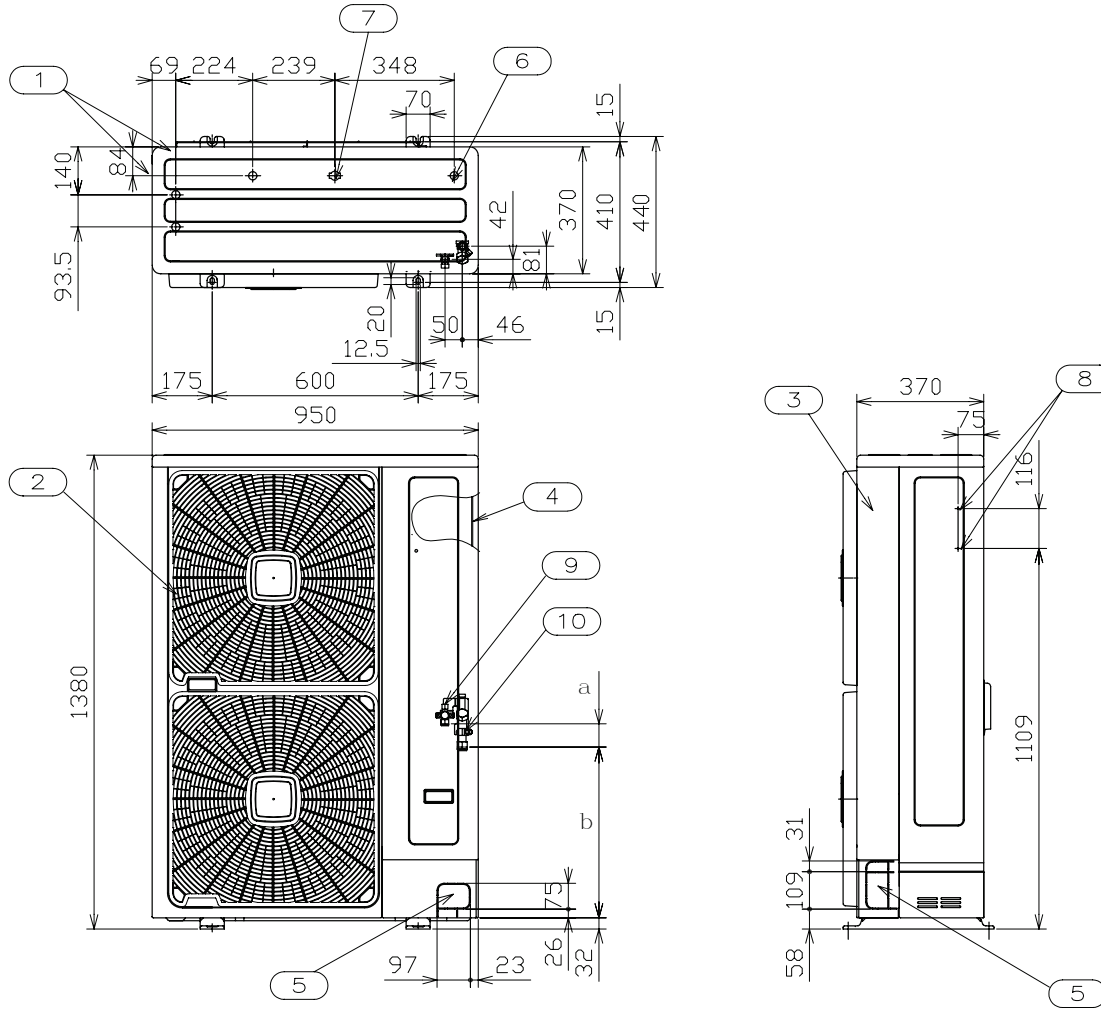
Units in mm.

No.	Description	Remarks
1	Air inlet	—
2	Air outlet	—
3	Service cover	—
4	Electrical switch box	—
5	Holes for refrigerant piping and electrical wiring piping	—
6	Drain holes	4-Ø24
7	Drain holes	1-Ø26
8	Holes for fixing machine to wall	4-(M5)
9	Refrigerant liquid pipe	—
10	Refrigerant gas pipe	—



7

◆ **RAS-(4-6)H(V)NP1E / RAS-(8/10)HNPE**



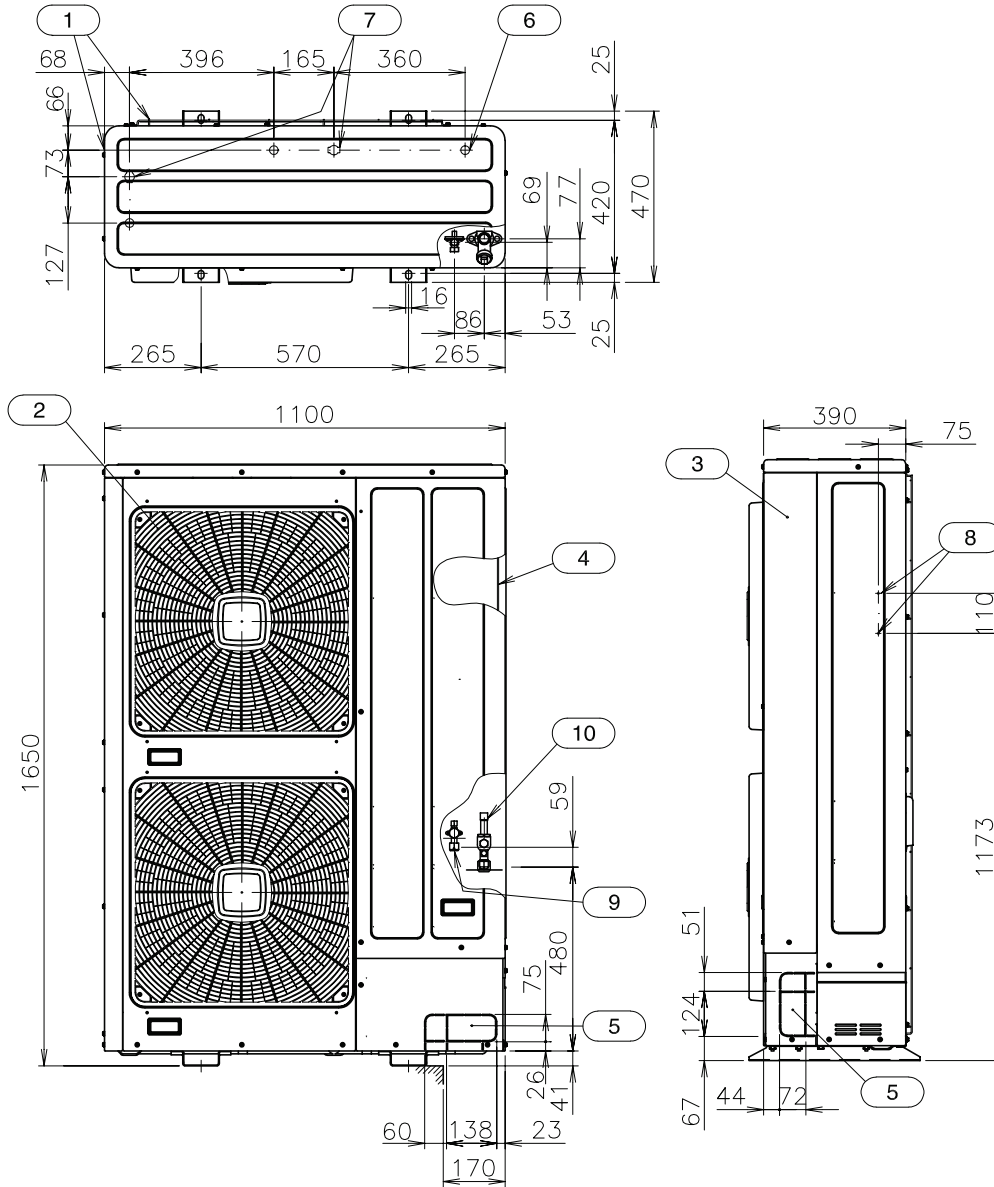
Units in mm.

No.	Description	Remarks
1	Air inlet	—
2	Air outlet	—
3	Service cover	—
4	Electrical switch box	—
5	Holes for refrigerant piping and electrical wiring piping	—
6	Drain holes	3-Ø24
7	Drain holes	2-Ø26
8	Holes for fixing machine to wall	4-(M5)
9	Refrigerant liquid pipe	—
10	Refrigerant gas pipe	—



	4-6 HP	8 HP	10 HP
a	90	81	99
b	459	465	465

◆ **RAS-12HNP**



Units in mm.

No.	Description	Remarks
1	Air inlet	—
2	Air outlet	—
3	Service cover	—
4	Electrical switch box	—
5	Holes for refrigerant piping and electrical wiring piping	—
6	Drain holes	3-Ø24
7	Drain holes	2-Ø26
8	Holes for fixing machine to wall	4-(M5)
9	Refrigerant liquid pipe	—
10	Refrigerant gas pipe	—

