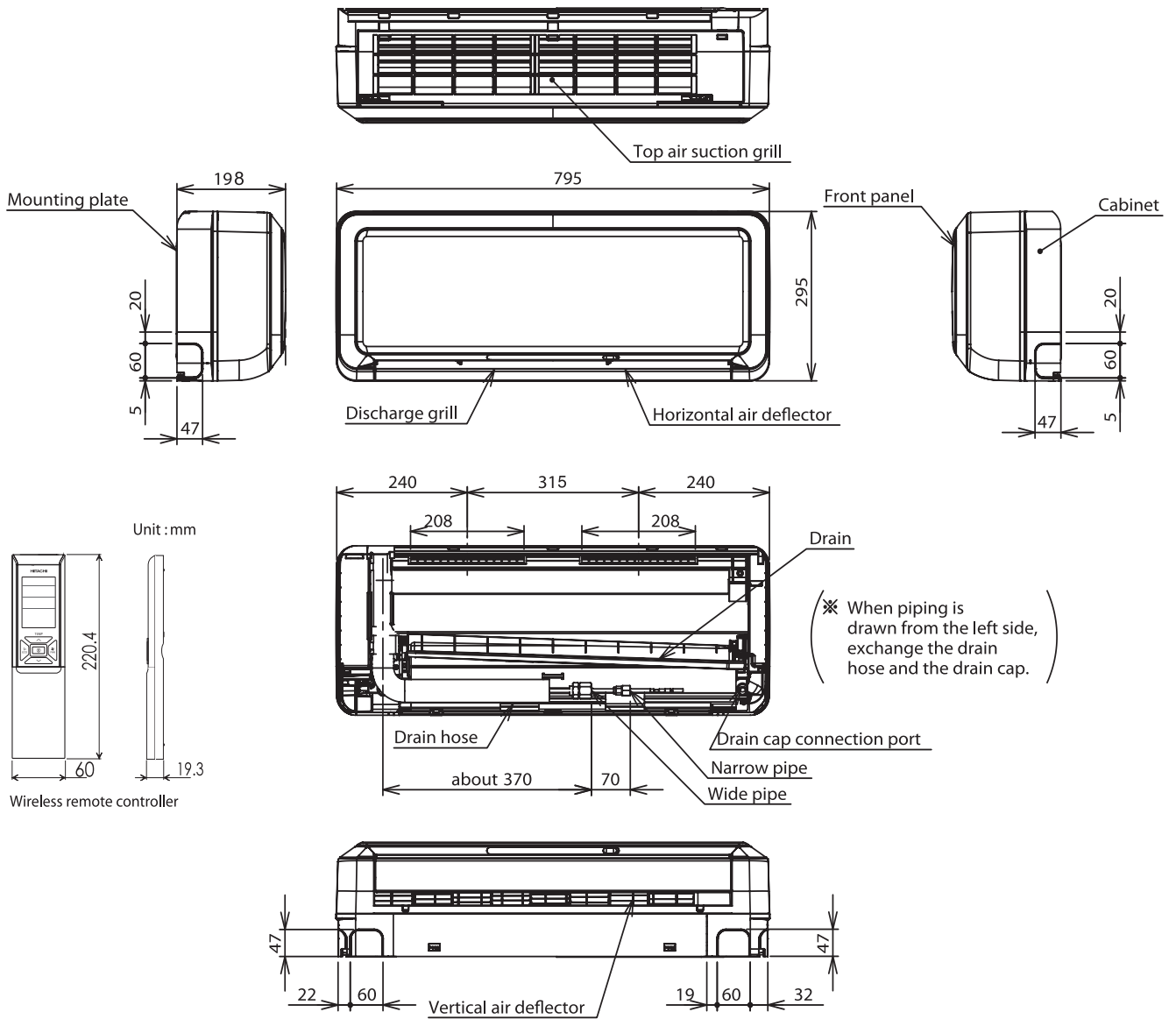


CONSTRUCTION AND DIMENSIONAL DIAGRAM

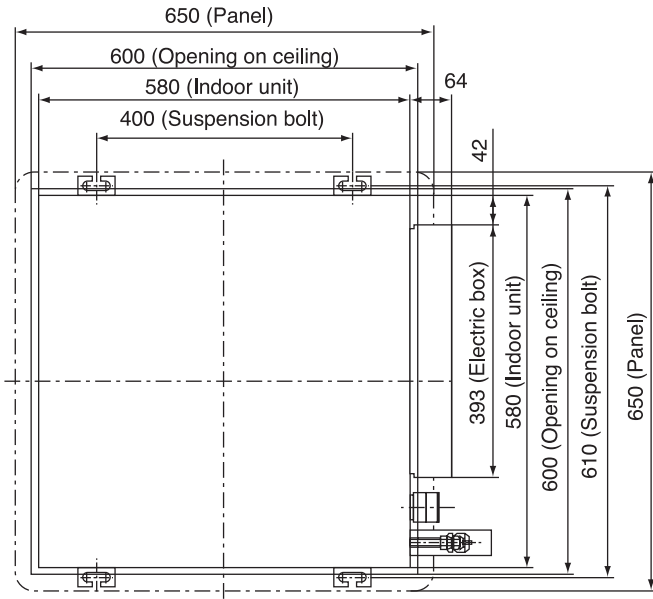
MODEL RAK-18QXA, RAK-25QXA, RAK-35QXA, RAK-50QXA

INDOOR UNIT

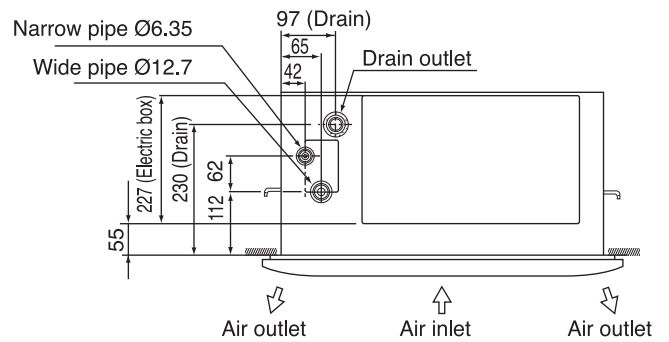
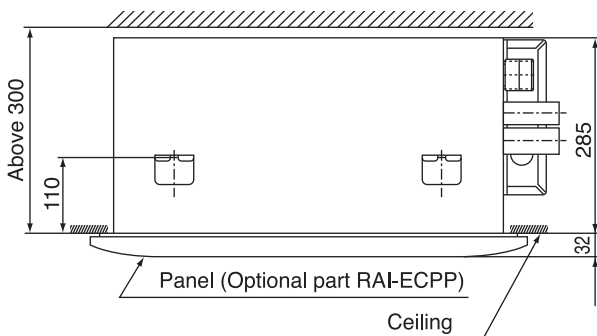


CONSTRUCTION AND DIMENSIONAL DIAGRAM

MODEL RAI-25RPA, RAI-35RPA, RAI-50RPA



Wireless remote controller



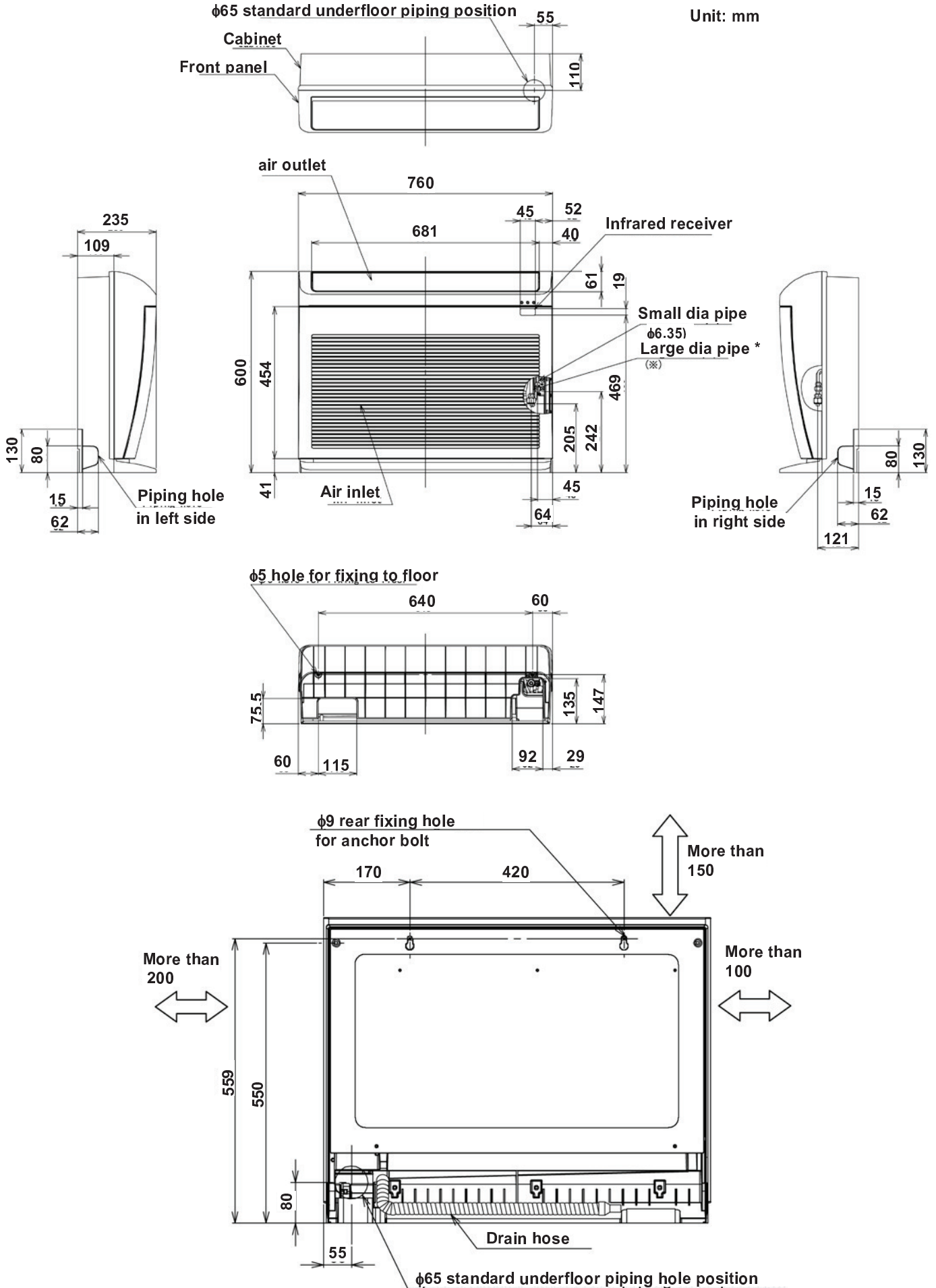
Note:

1. Insulated pipes should be used for both the narrow and wide dia. pipes.
2. Piping length is within 20m.
3. Height difference of the piping between the indoor unit and the outdoor unit should be within 10m.
4. An F-cable 1.6mm or 2.0mm dia. X 3 (control side) is used for the connection cable.

3.1.4. FLOOR TYPE: RAF-25RPA/35RPA/50RPA

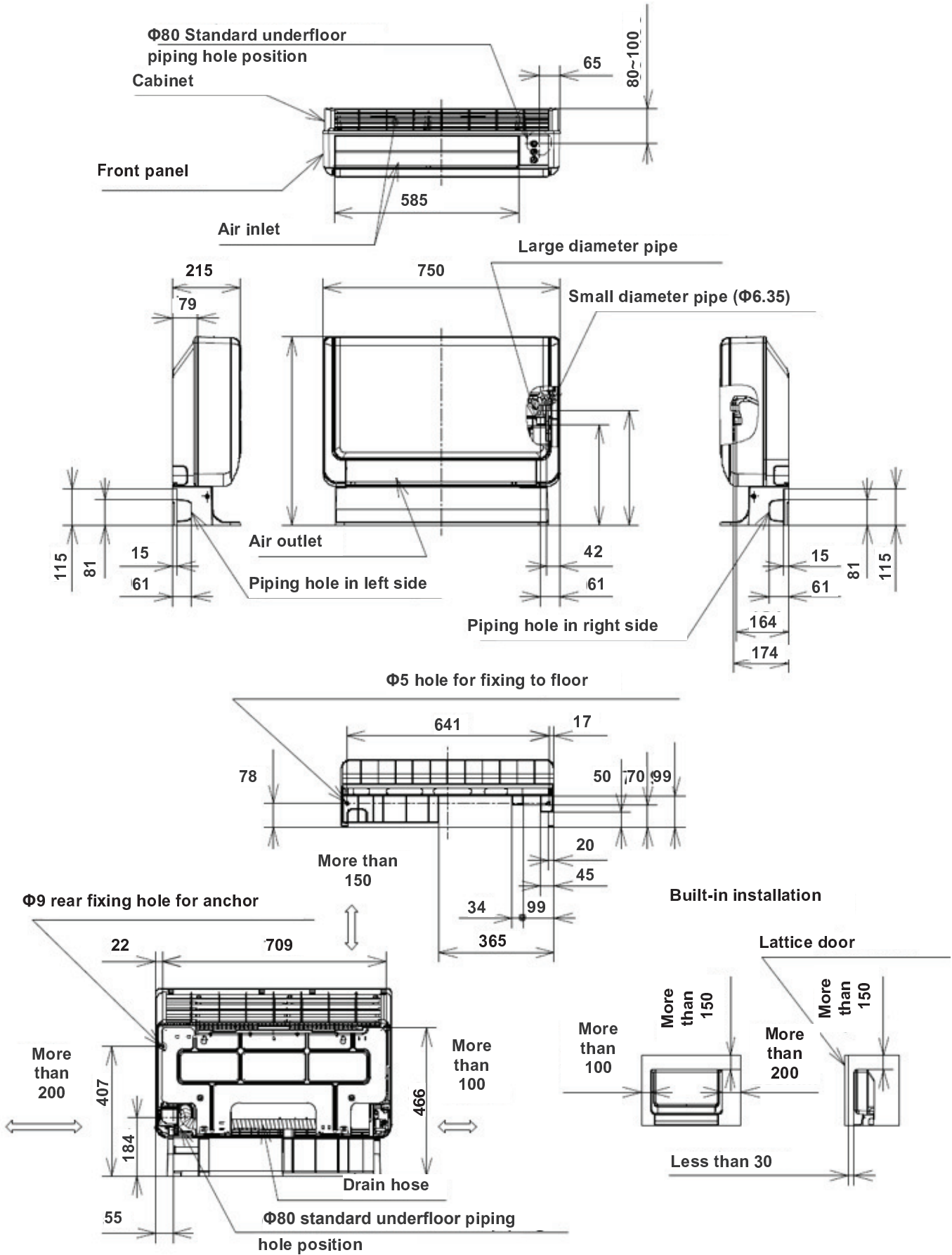
φ65 standard underfloor piping position

Unit: mm

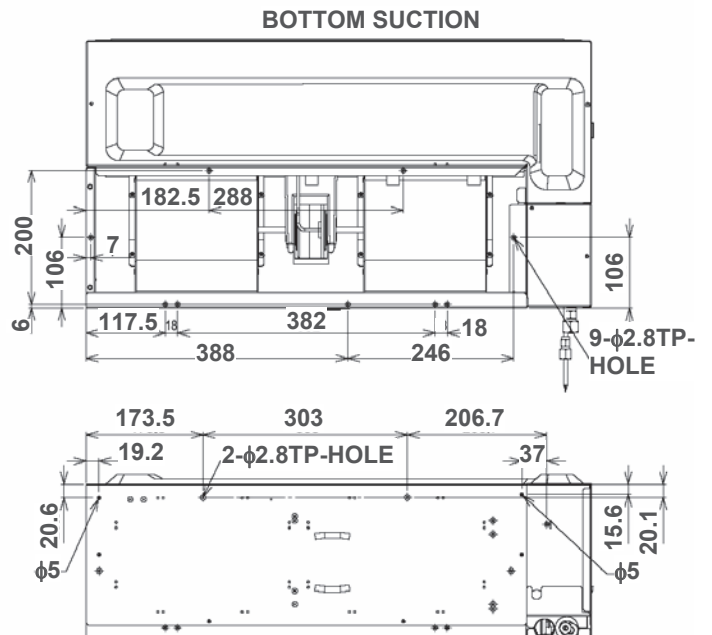
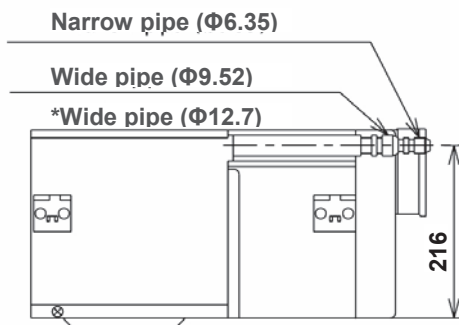
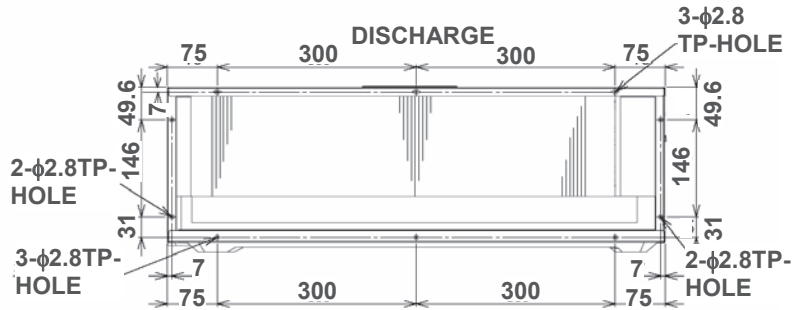
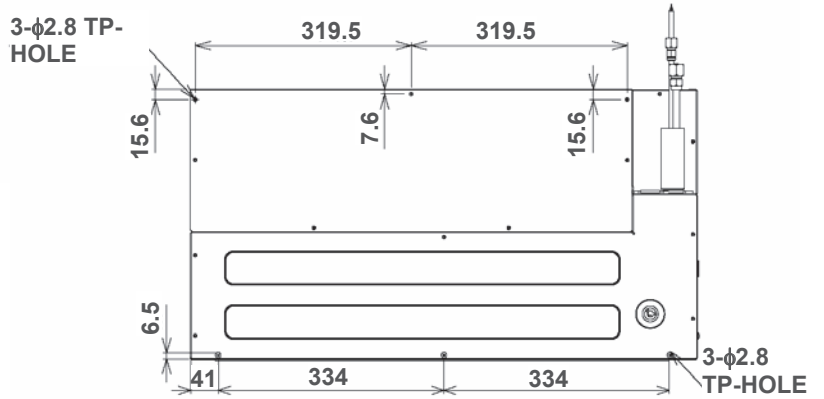
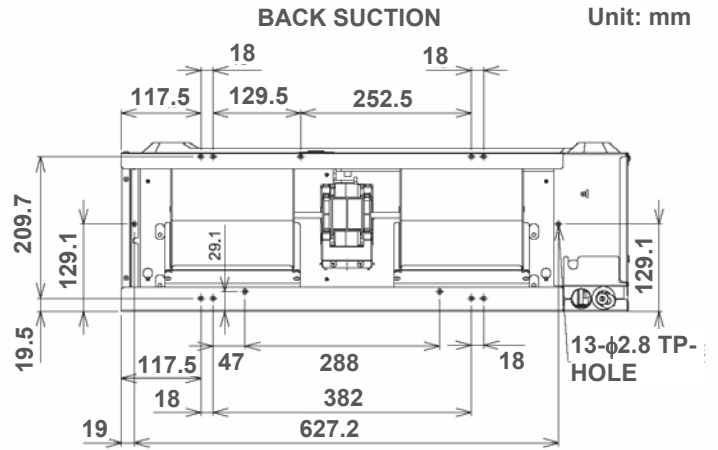
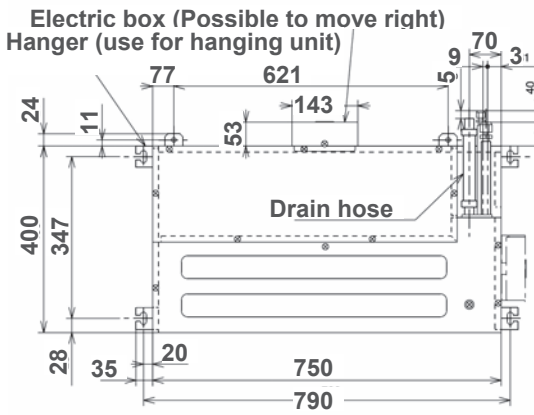


3.1.3. FLOOR TYPE: RAF-25QXA/35QXA/50QXA

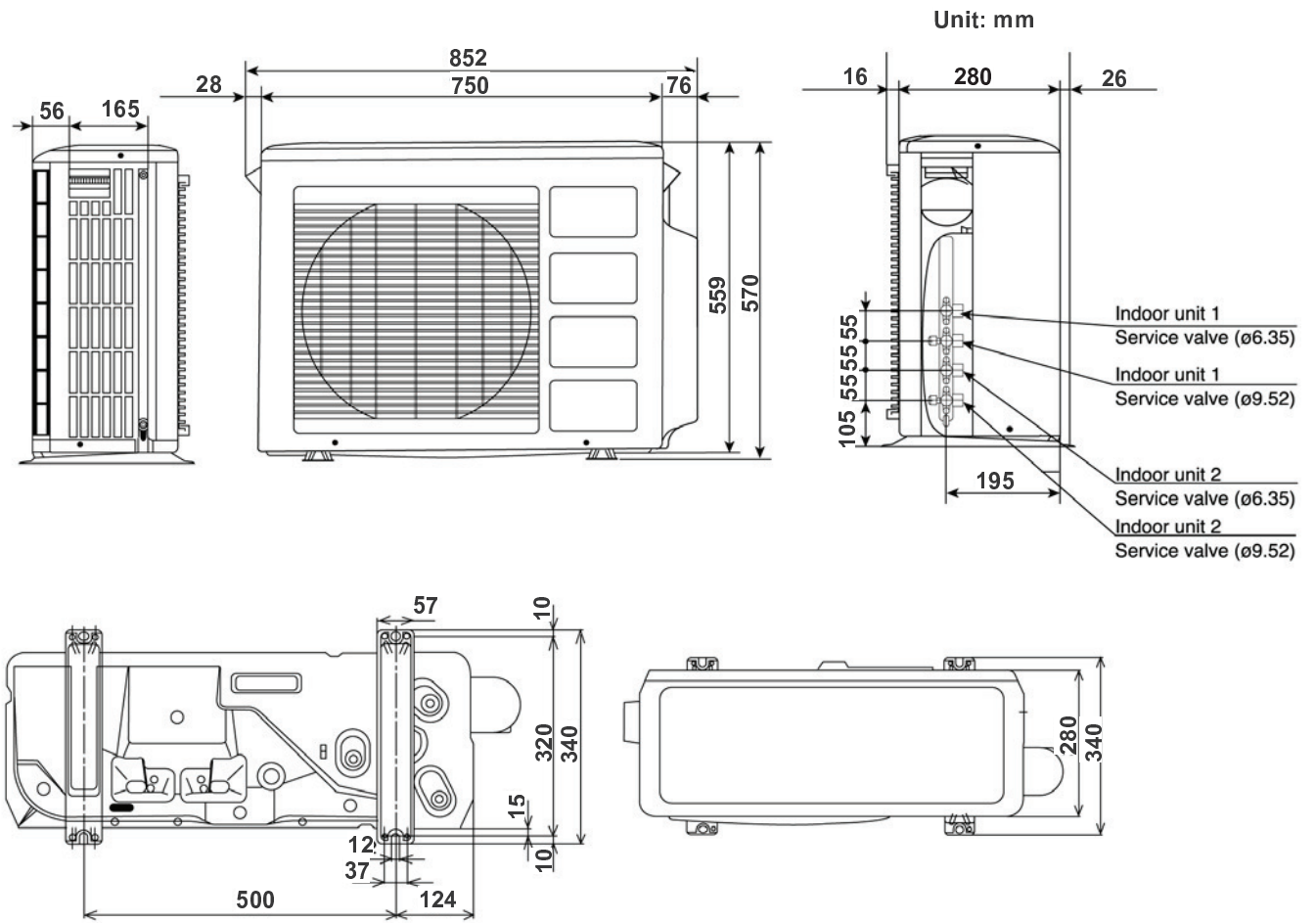
Unit: mm



3.1.6. DUCT TYPE: RAD-18RPA/25RPA/35RPA/50RPA



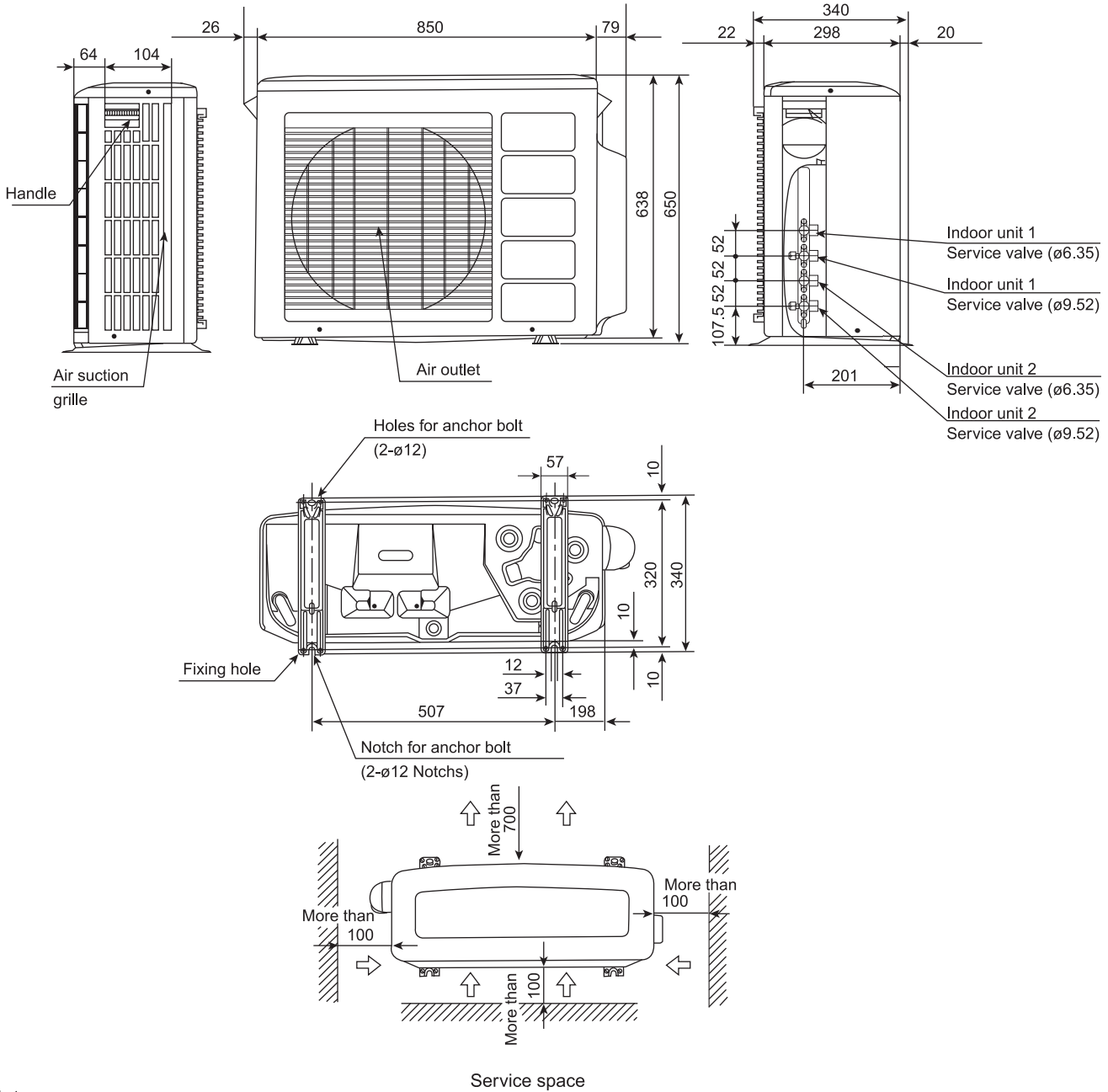
3.2.3. 2 ROOMS MULTIZONE: RAM-36NP2A



CONSTRUCTION AND DIMENSIONAL DIAGRAM

MODEL RAM-53NP2A

Unit: mm



Note:

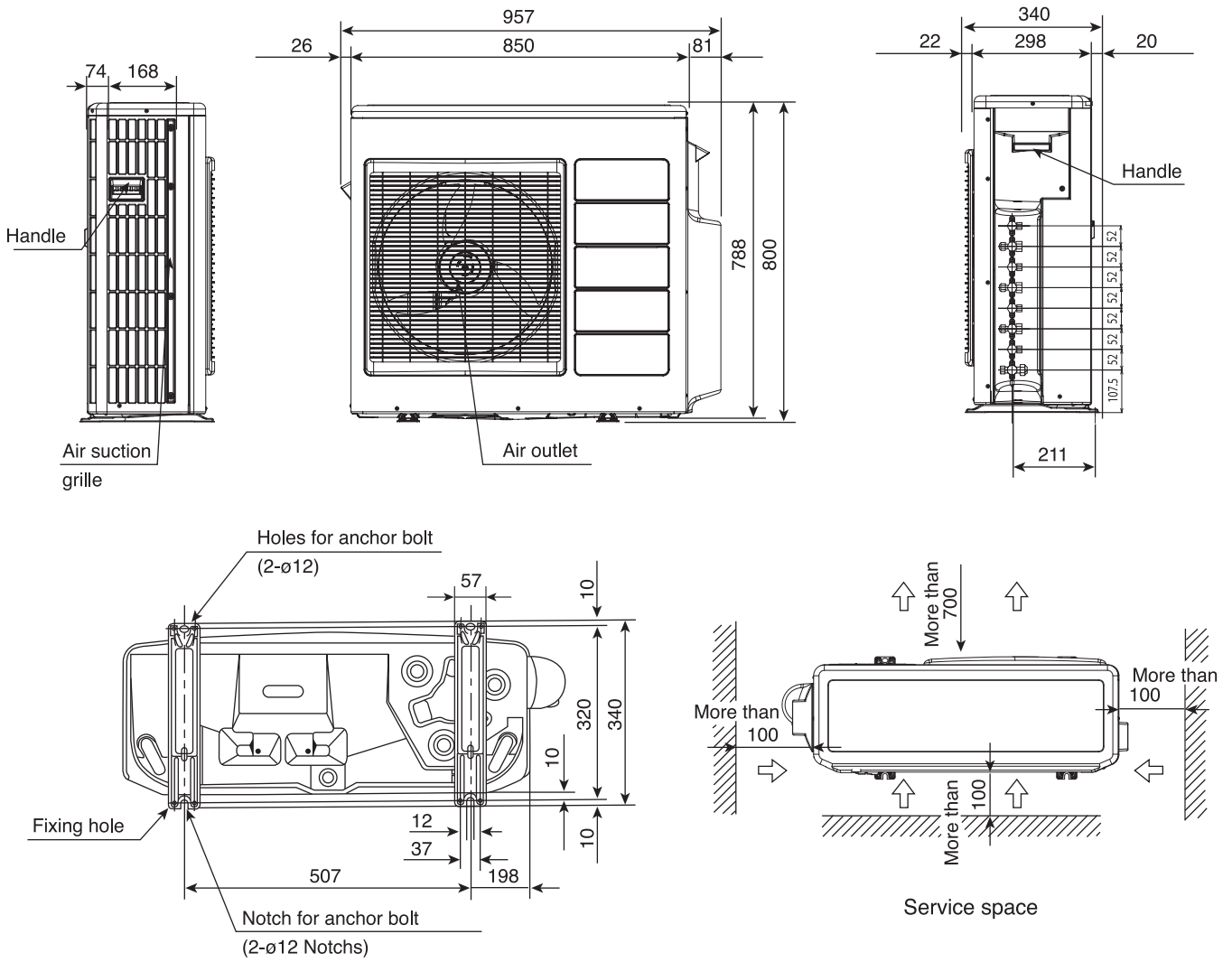
1. Insulated pipes should be used for both small and large diameter pipes.
2. Piping length should be within 25m for one room and within 35m in total.
3. Height difference of piping between indoor unit and outdoor unit should be within 20m.
4. Overhead clearance of outdoor unit should be 200mm to allow servicing.
5. For electrical connection, please refer to the installation manual.

ATTENTION

During service, before opening the side cover, please switch off power supply.

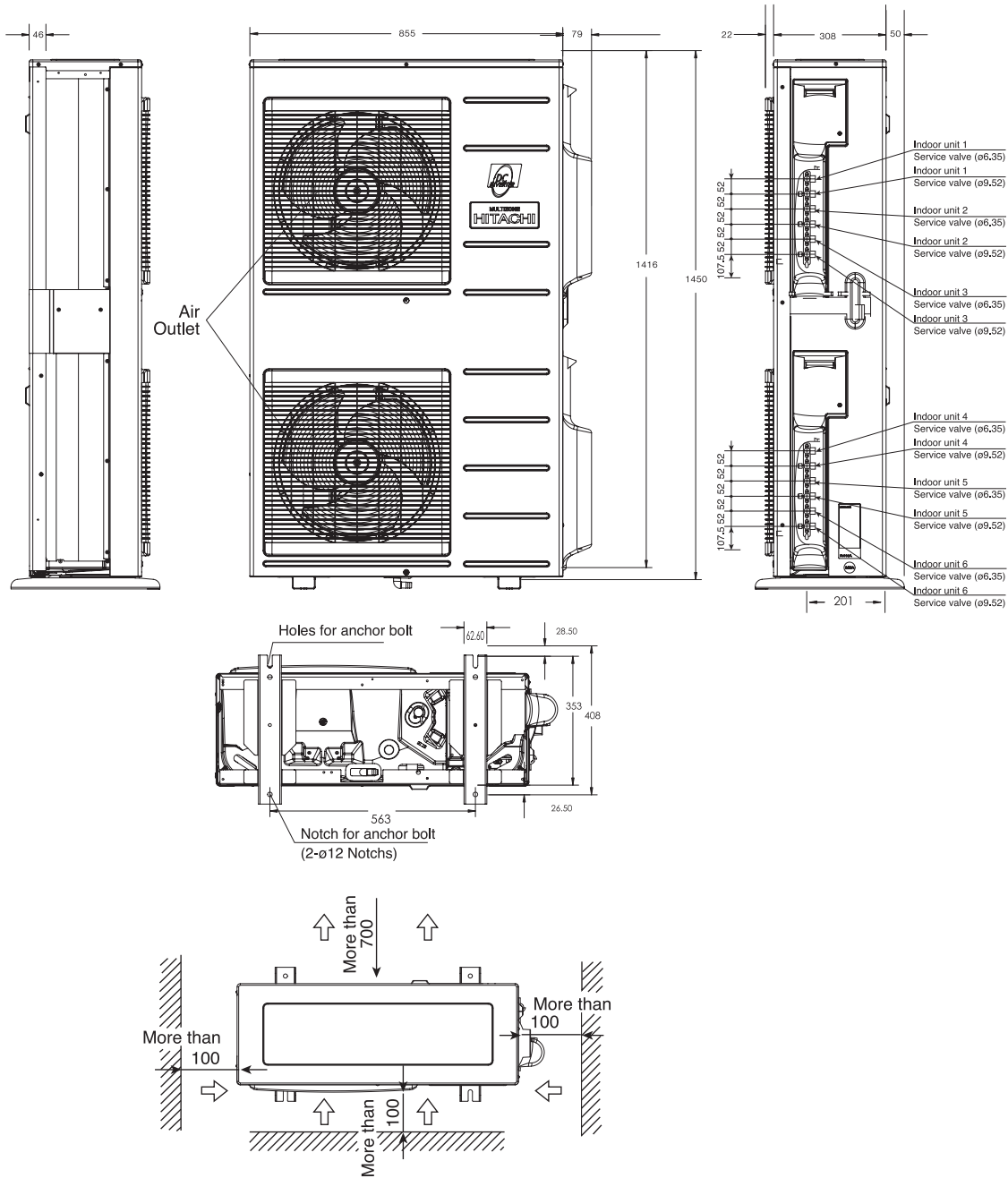
CONSTRUCTION AND DIMENSIONAL DIAGRAM

MODEL RAM-70NP4A



CONSTRUCTION AND DIMENSIONAL DIAGRAM

MODEL RAM-130NP6A



Service space

Note:

1. Insulated pipes should be used for both small and large diameter pipes.
2. Piping length should be within 25m for one room and within 45m in total.
3. Height difference of piping between indoor unit and outdoor unit should be within 20m.
4. Overhead clearance of outdoor unit should be 200mm to allow servicing.
5. For electrical connection, please refer to the installation manual.

ATTENTION

During service, before opening the side cover, please switch off power supply.