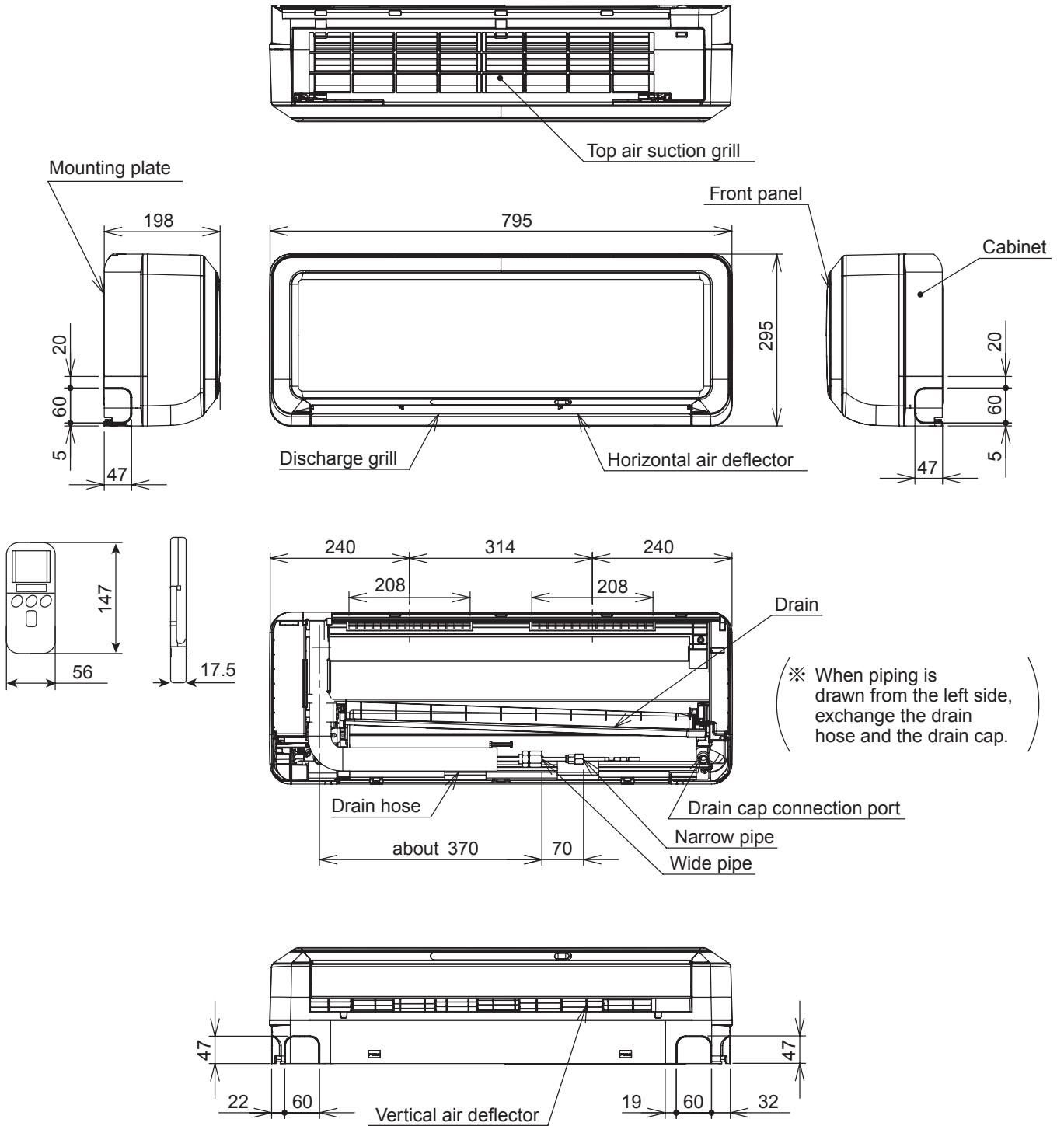
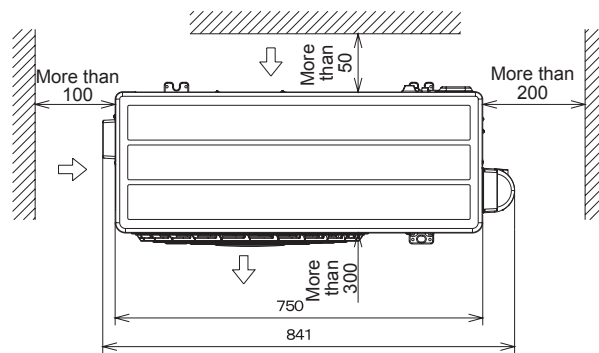
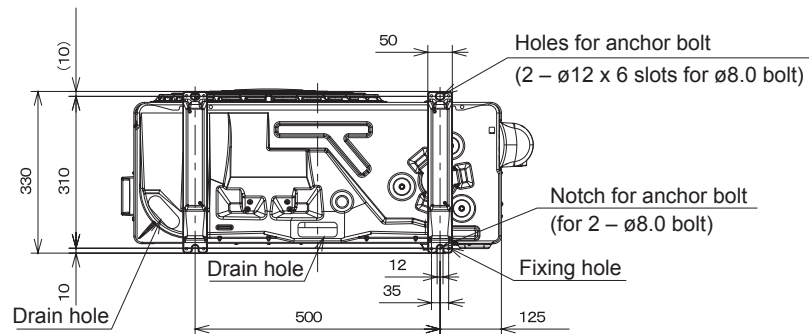
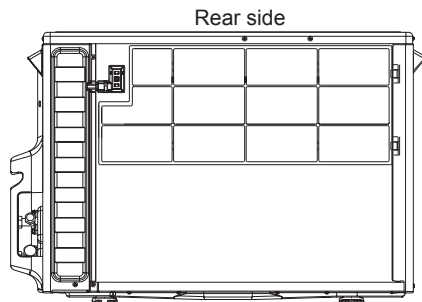
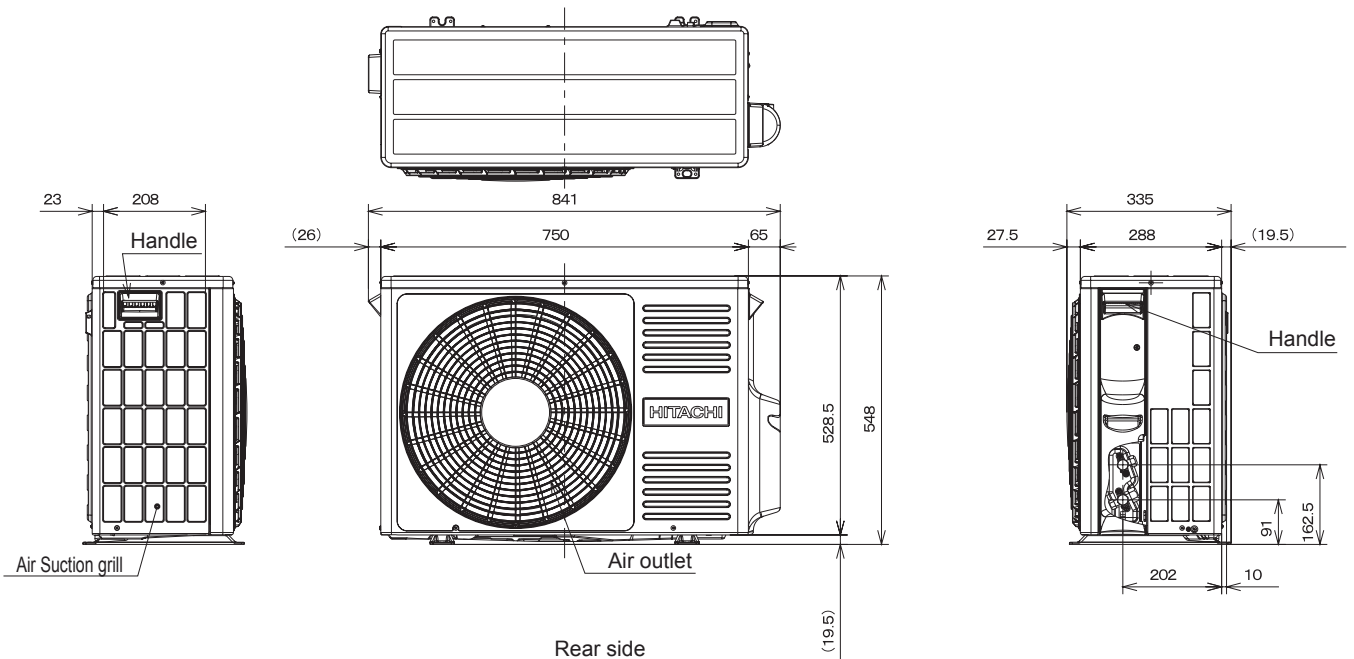


# CONSTRUCTION AND DIMENSIONAL DIAGRAM

MODEL RAK-25PXA, RAK-35PXA

Unit : mm



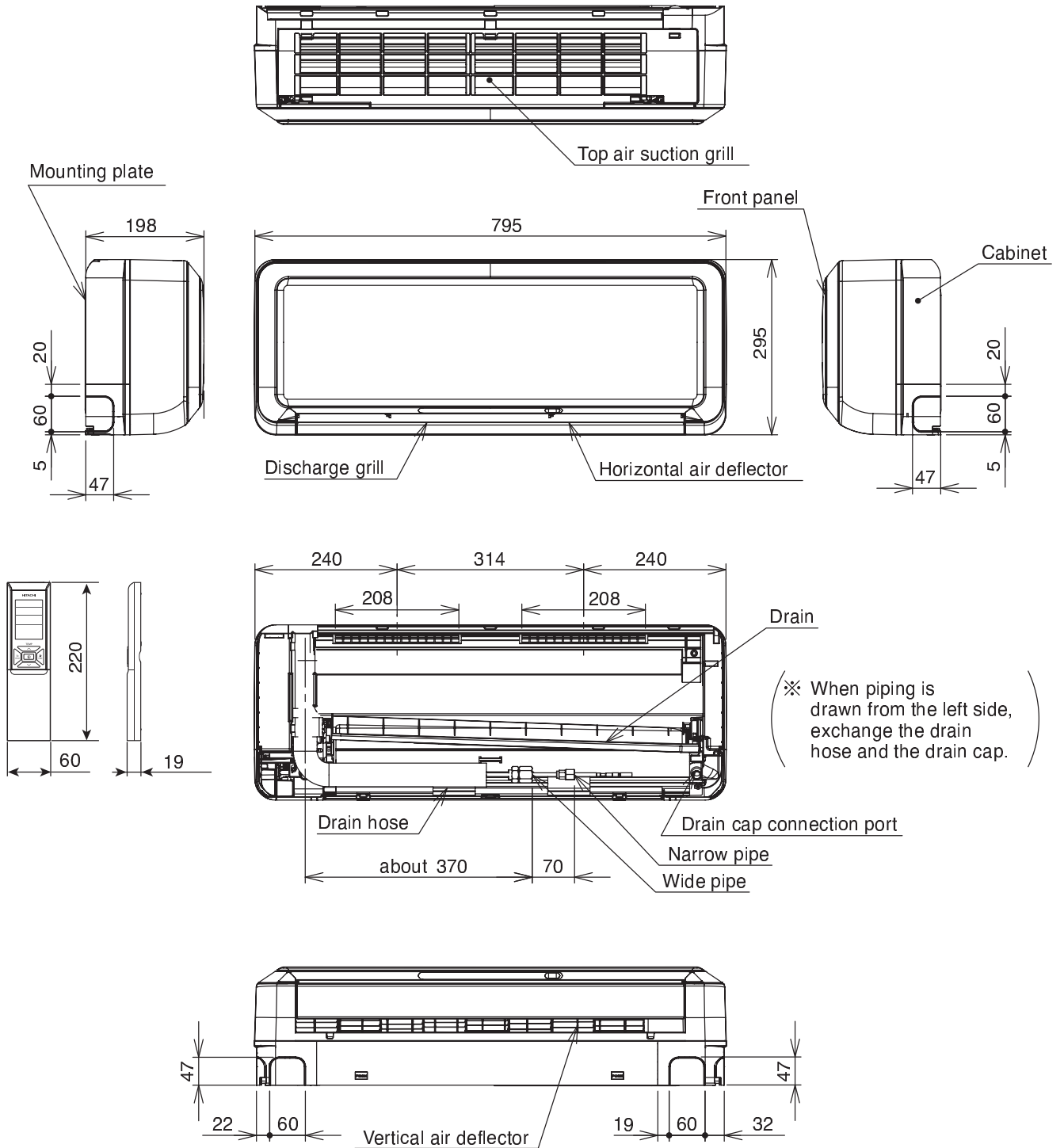


Service space

# CONSTRUCTION AND DIMENSIONAL DIAGRAM

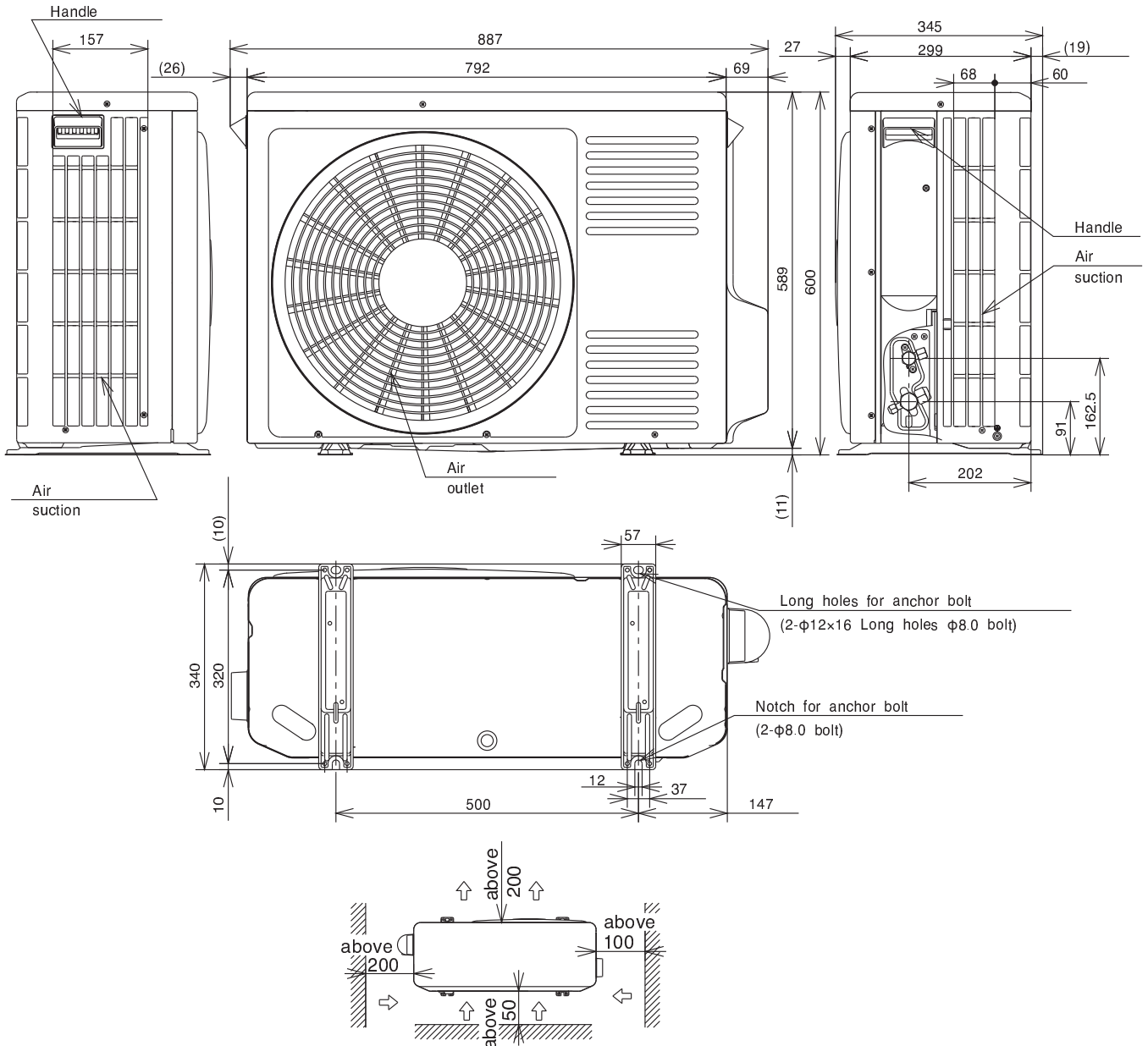
MODEL RAK-50PXA

Unit : mm



MODEL RAC-50WXA

Unit : mm



Service space

Note:

1. 200mm or more servicing space is required above the outdoor unit.