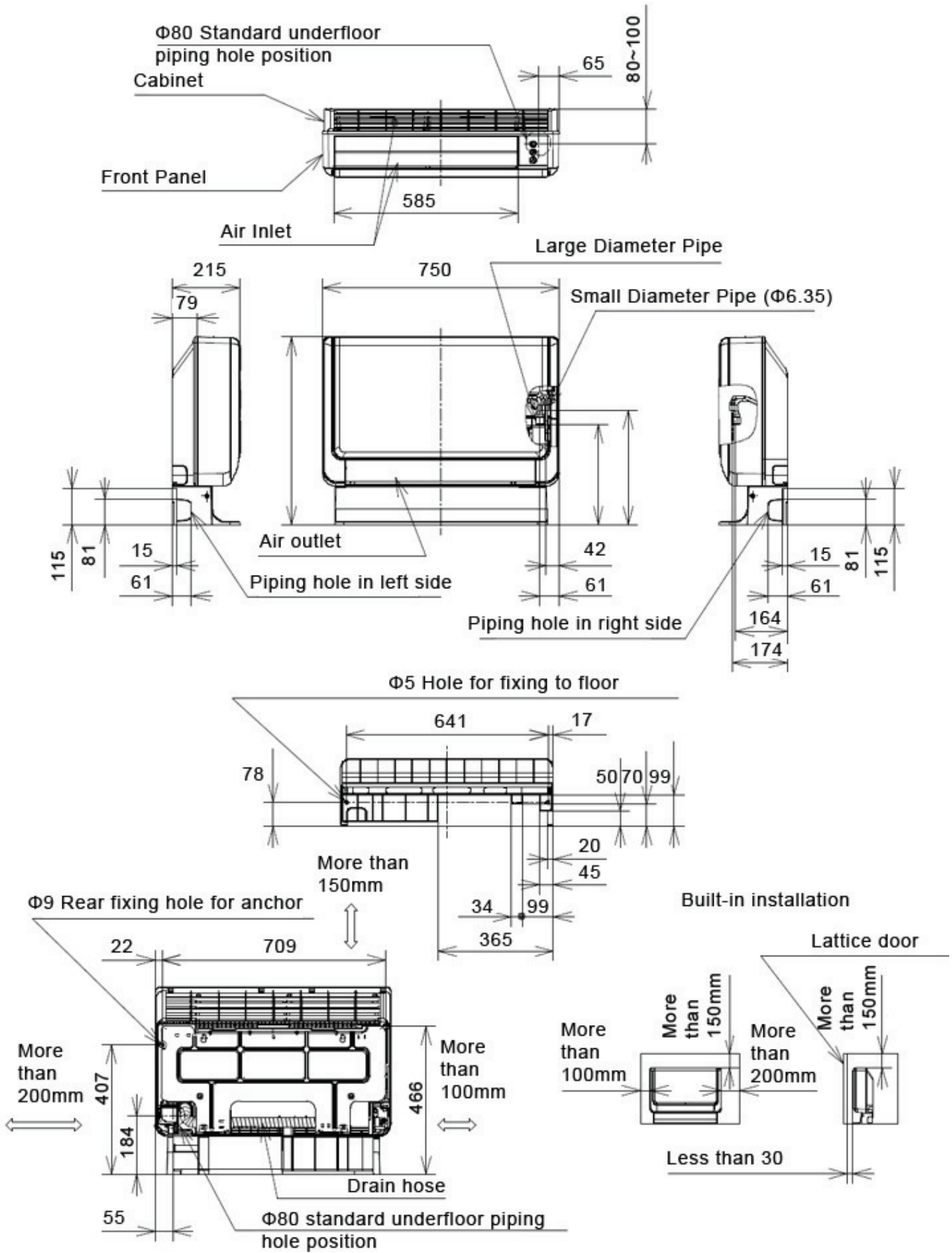
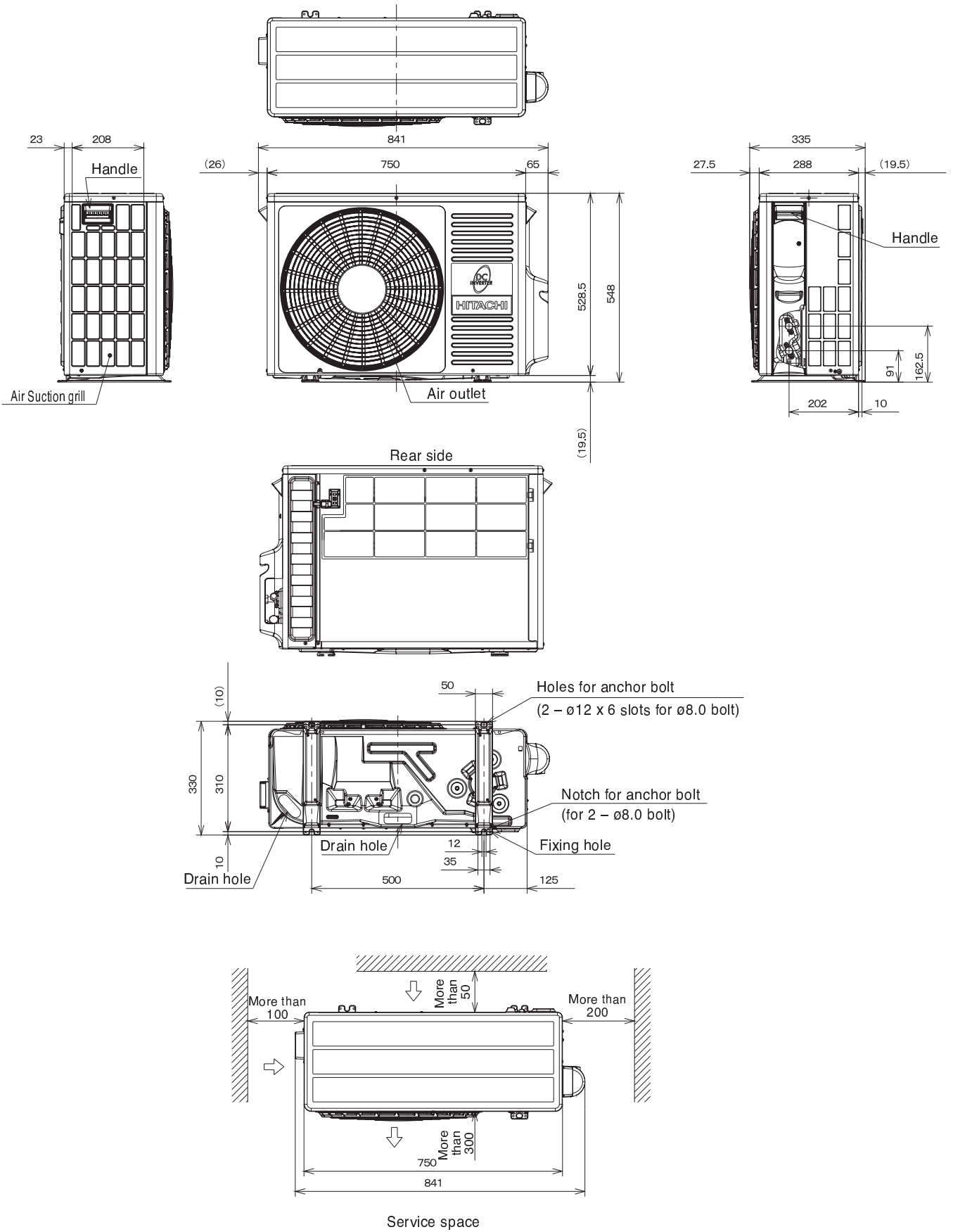


3.3.21. FLOOR TYPE: RAF-25PXA/35PXA/50PXA





3.3.23. FLOOR TYPE: RAC-50FXA

