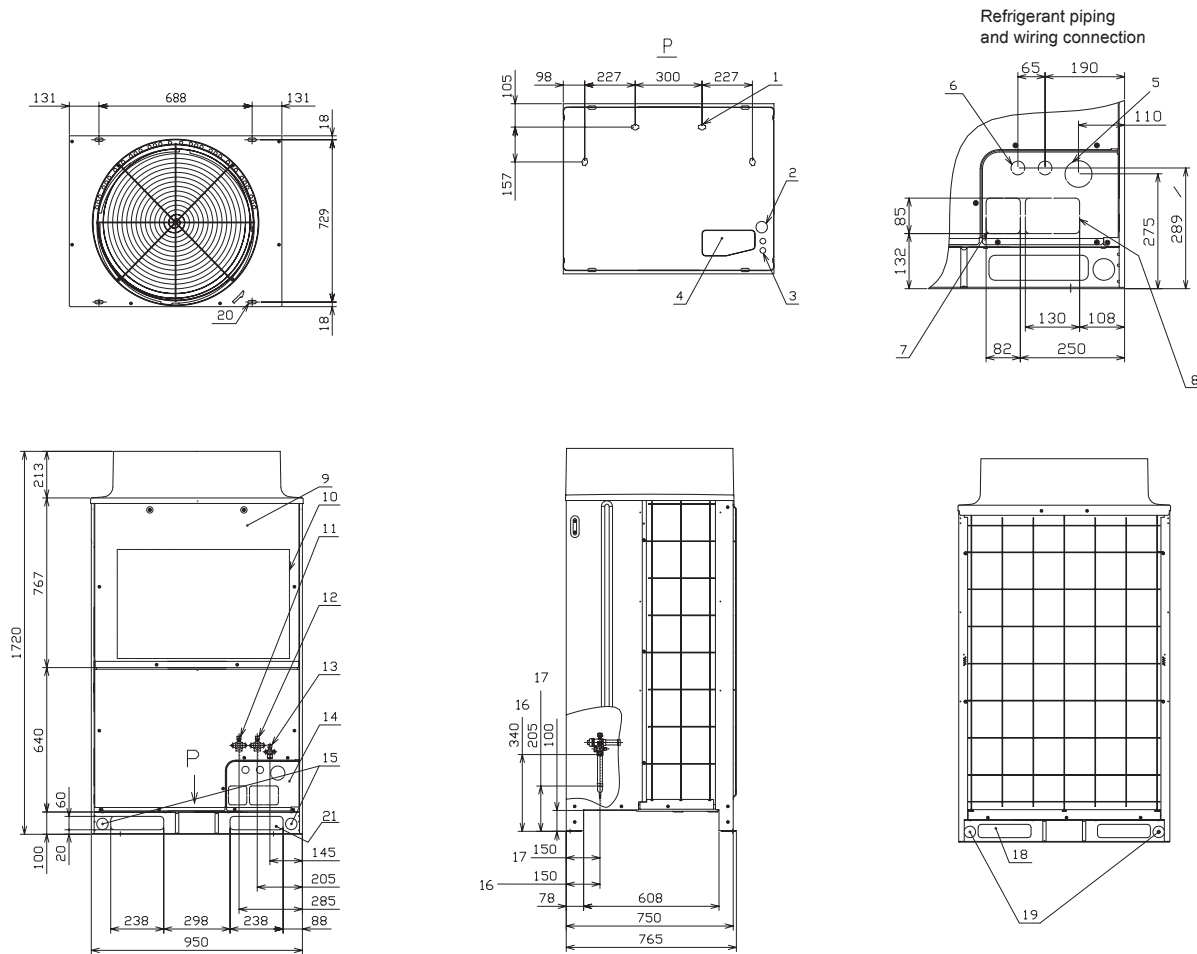


7.1 Dimensions RAS-(5-6)FSXNH

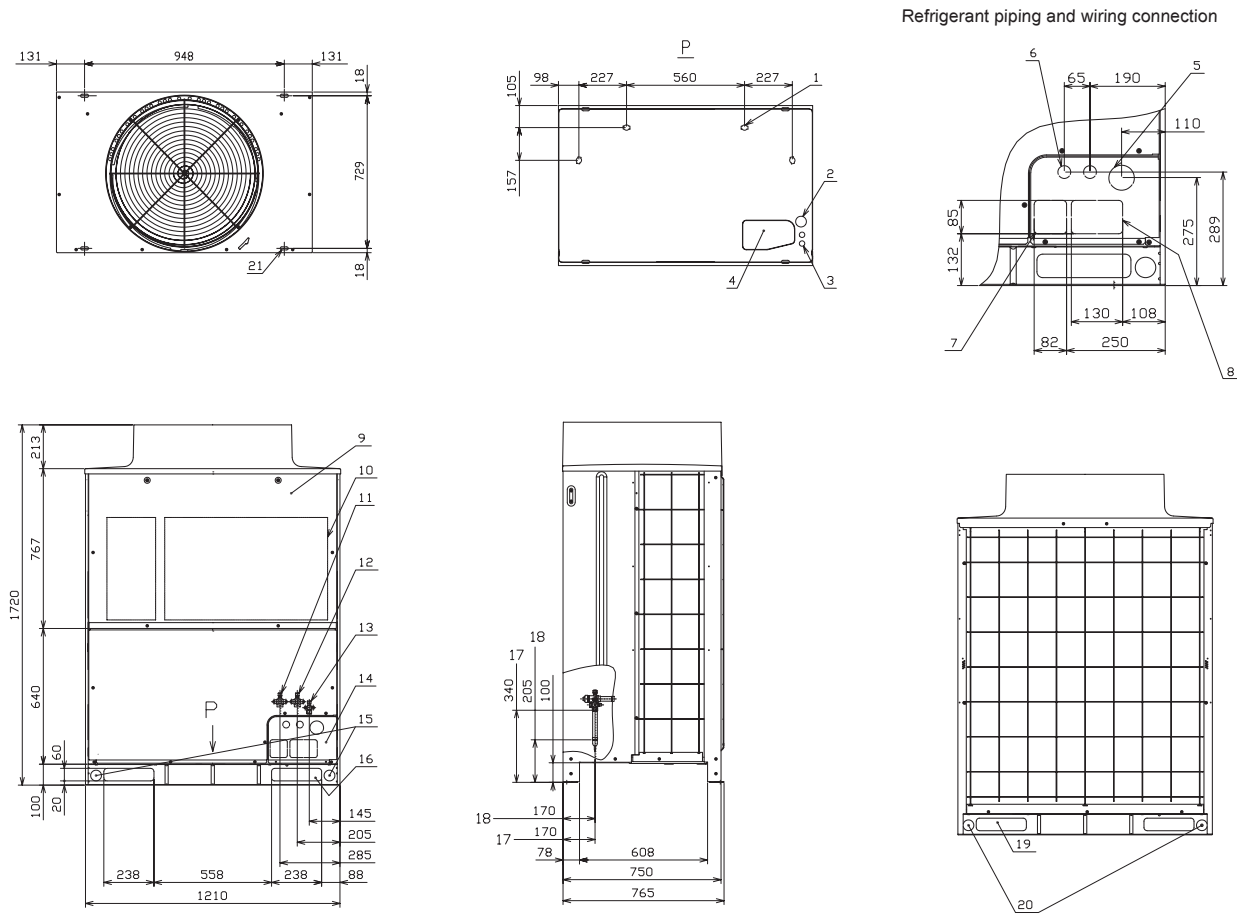


No.	Part	No.	Part
1	Hole for condensate drainage (ø26 x 4)	12	Gas line refrigerant piping connection (high/low pressure) (øB field-supplied pipe size)
2	Hole for power supply wiring (ø52)	13	Liquid line refrigerant piping connection (øC field-supplied pipe size)
3	Hole for control line or power supply wiring (ø26 x 2)	14	Refrigerant piping and wiring connection hole (knockout hole)
4	Hole for refrigerant piping (235 x 113)	15	Hole for power supply wiring (ø52 x 2)
5	Power source wire outlet (ø65 knockout hole)	16	Liquid line
6	2 control cable outlets (ø33 knockout hole)	17	Gas line
7	Refrigerant piping outlet (low pressure gas) (knockout square hole)	18	Hole for refrigerant piping and control line wiring
8	Refrigerant piping outlet (high/low pressure gas, liquid) (knockout square hole)	19	Hole for power supply wiring
9	Service cover	20	4 holes (38 x 15)
10	Electrical control box	21	Hole for refrigerant piping and control line wiring
11	Gas line refrigerant piping connection (low pressure) (øA field-supplied pipe size)	P	Viewed from P

Heat pump system (2 pipes)				Heat recovery system (3 pipes)			
Model	A	B	C	Model	A	B	C
RAS-5FSXNH	-	15.88	9.52	RAS-5FSXNH	15.88	12.7	9.52
RAS-6FSXNH	-	19.05	9.52	RAS-6FSXNH	19.05	15.88	9.52

All dimensions in mm.

7.2 Dimensions RAS-(8-12)FSXNH



No.	Part	No.	Part
1	Hole for condensate drainage (ø26 x 4)	12	Gas line refrigerant piping connection (high/low pressure) (øB field-supplied pipe size)
2	Hole for power supply wiring (ø52)	13	Liquid line refrigerant piping connection (øC field-supplied pipe size)
3	Hole for control line or power supply wiring (ø26 x 2)	14	Refrigerant piping and wiring connection hole (knockout hole)
4	Hole for refrigerant piping (245 x 138)	15	Hole for power supply wiring (ø52 x 2)
5	Power source wire outlet (ø65 knockout hole)	16	Hole for refrigerant piping and control line wiring
6	2 control cable outlets (ø33 knockout hole)	17	Liquid line
7	Refrigerant piping outlet (low pressure gas) (knockout square hole)	18	Gas line
8	Refrigerant piping outlet (high/low pressure gas, liquid) (knockout square hole)	19	Hole for refrigerant piping and control line wiring
9	Service cover	20	Hole for power supply wiring (ø52 x 2)
10	Electrical control box	21	4 holes (38 x 15)
11	Gas line refrigerant piping connection (low pressure) (øA field-supplied pipe size)	P	Viewed from P

Heat pump system (2 pipes)				Heat recovery system (3 pipes)			
Model	A	B	C	Model	A	B	C
RAS-8FSXNH	-	19.05	9.52	RAS-8FSXNH	19.05	15.88	9.52
RAS-10FSXNH	-	22.2	9.52	RAS-10FSXNH	22.2	19.05	9.52
RAS-12FSXNH	-	25.4	12.7	RAS-12FSXNH	25.4	22.2	12.7

All dimensions in mm.