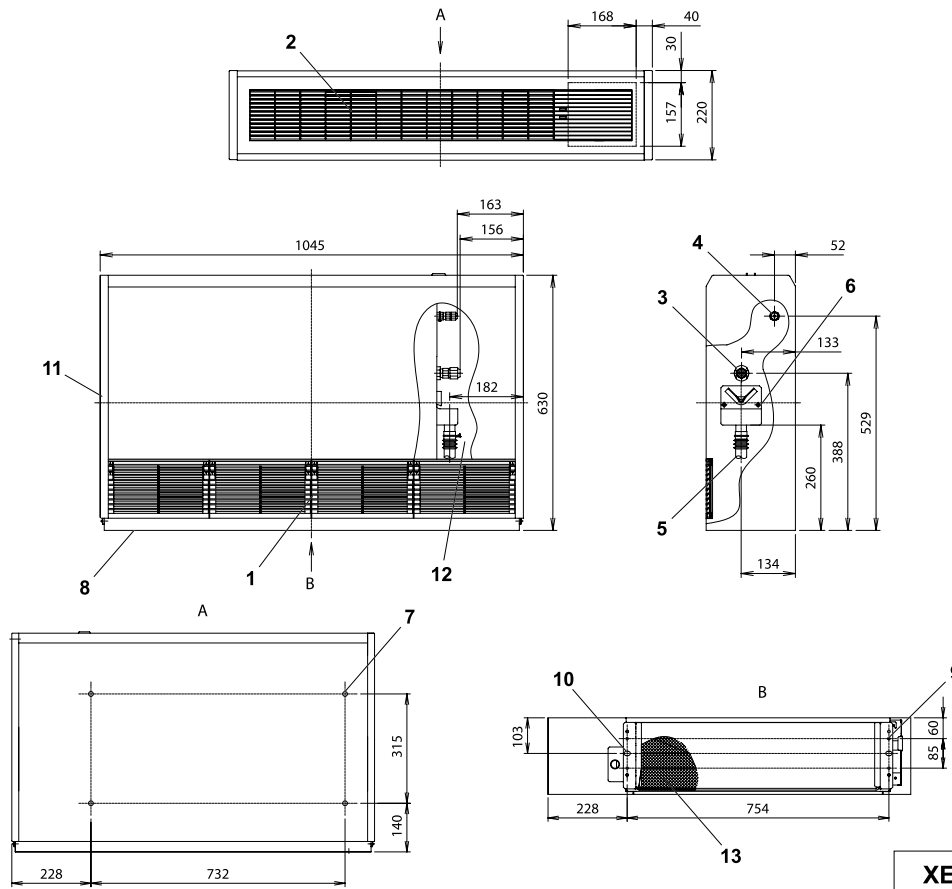


7.1.9 RPF-(1.0-2.5)FSN2E - Floor type

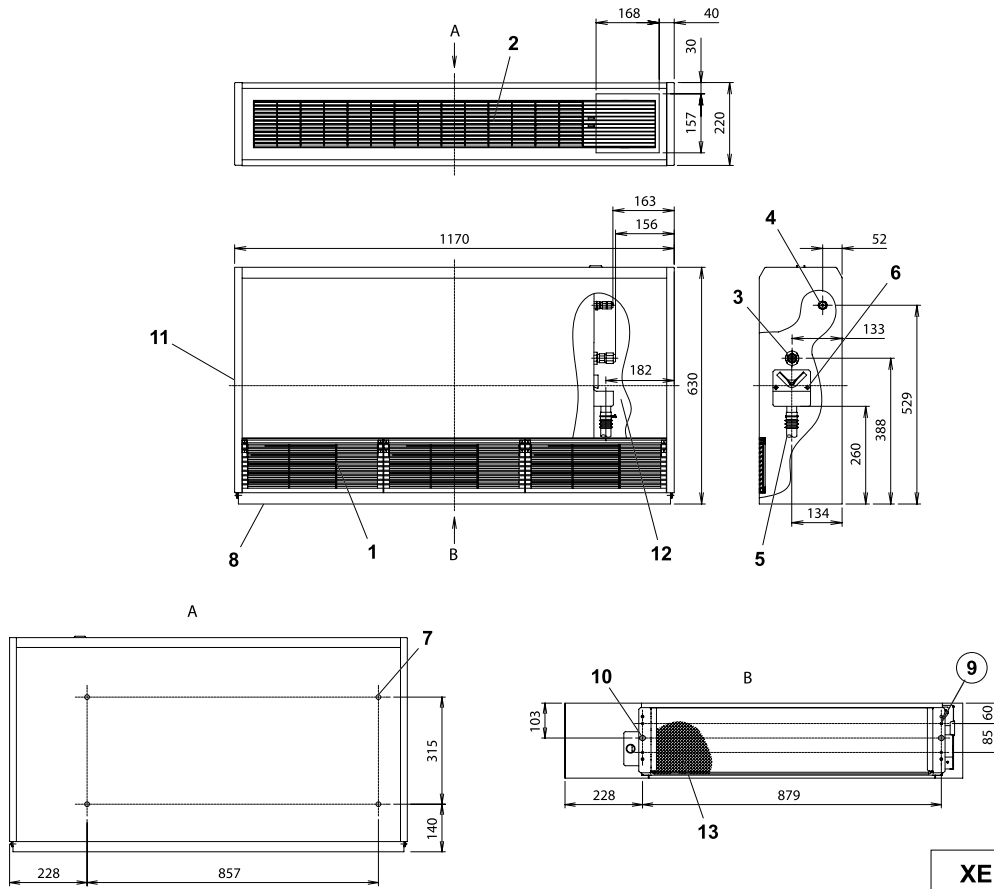
◆ **RPF-1.0FSN2E - Floor type**



No.	Description	Remarks
1	Air inlet	
2	Air outlet	
3	Refrigerant connection (gas)	Flare nut. $\phi 12.7$
4	Refrigerant connection (liquid)	Flare nut. $\phi 6.35$
5	Drain connection	
6	Drain pan	
7	Holes to fix the unit to the wall	(4x) $\phi 14$ (behind)
8	Adjusting screw	For the installation
9	Holes to fix the unit to the floor	(4x) $\phi 7$, bolts for wood (4x) M5
10	Holes to fix the unit to the floor	(2x) $\phi 12.5 \times 18$, bolts (2x) M8
11	Wiring hole	Left-hand side
12	Space for pipe connection	Right-hand side
13	Filter	

All measurements are in mm.

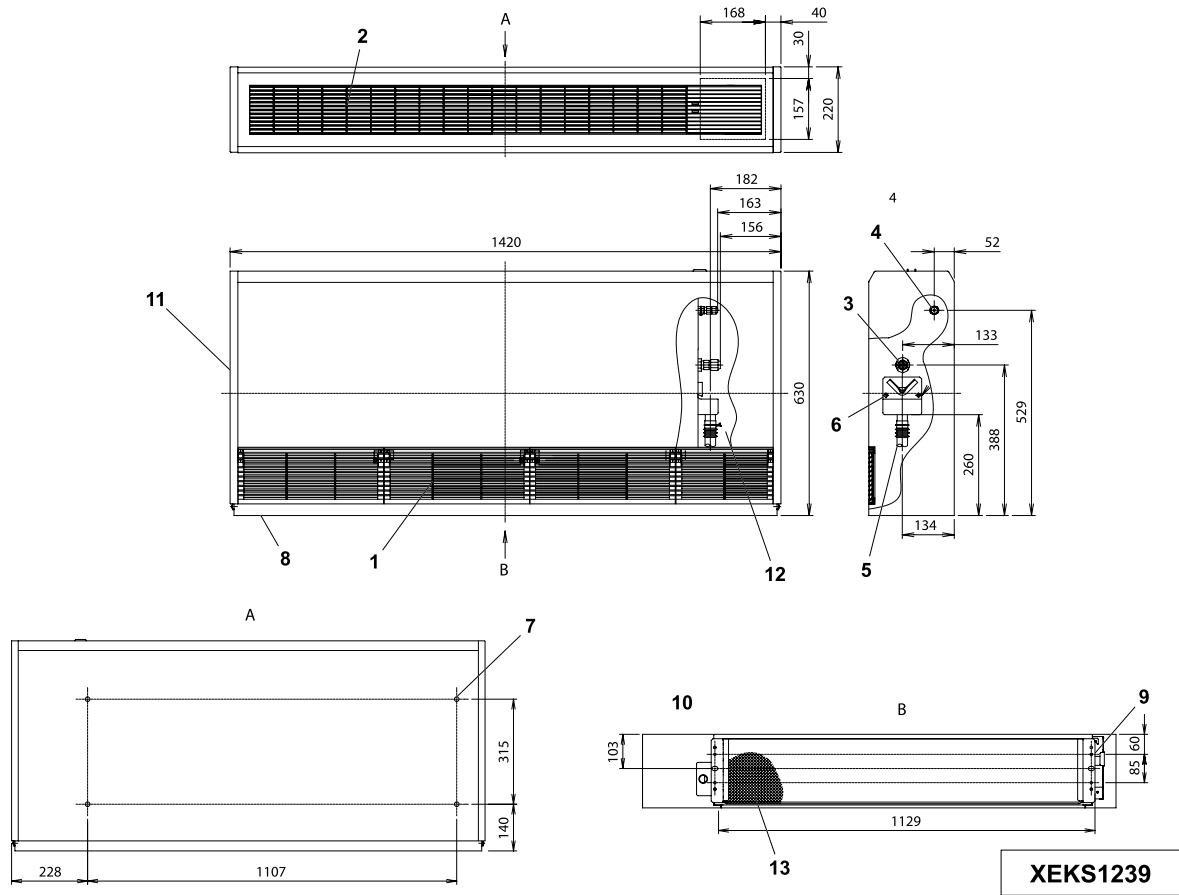
◆ **RPF-1.5FSN2E - Floor type**



No.	Description	Remarks
1	Air inlet	
2	Air outlet	
3	Refrigerant connection (gas)	Flare nut. $\phi 12.7$
4	Refrigerant connection (liquid)	Flare nut. $\phi 6.35$
5	Drain connection	
6	Drain pan	
7	Holes to fix the unit to the wall	(4x) $\phi 14$ (behind)
8	Adjusting screw	For the installation
9	Holes to fix the unit to the floor	(4x) $\phi 7$, bolts for wood (4x) M5
10	Holes to fix the unit to the floor	(2x) $\phi 12.5 \times 18$, bolts (2x) M8
11	Wiring hole	Left-hand side
12	Space for pipe connection	Right-hand side
13	Filter	

All measurements are in mm.

◆ RPF-(2.0/2.5)FSN2E - Floor type

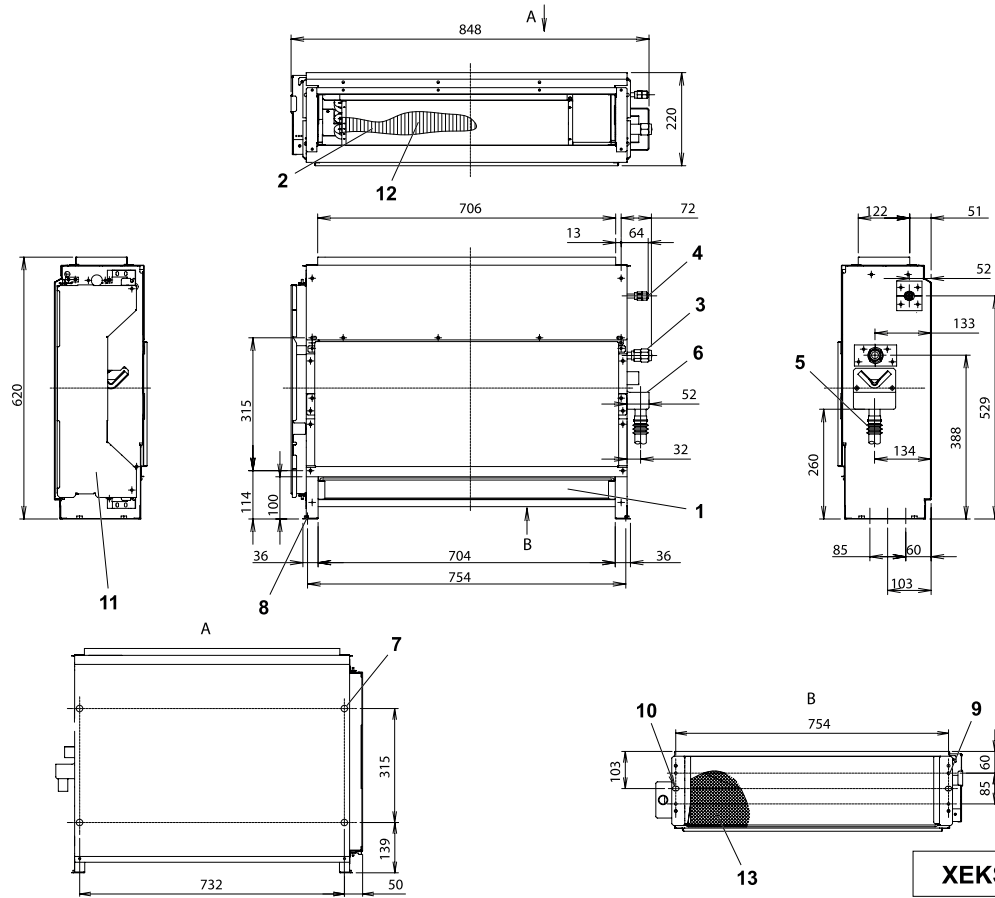


No.	Description	Remarks
1	Air inlet	
2	Air outlet	
3	Refrigerant connection (gas)	Flare nut. $\phi 15.88$
4	Refrigerant connection (liquid)	Flare nut. $\phi 6.35$ RPF-(2.0), $\phi 9.53$ RPF-(2.5)
5	Drain connection	
6	Drain pan	
7	Holes to fix the unit to the wall	(4x) $\phi 14$ (behind)
8	Adjusting screw	For the installation
9	Holes to fix the unit to the floor	(4x) $\phi 7$, bolts for wood (4x) M5
10	Holes to fix the unit to the floor	(2x) $\phi 12.5 \times 18$, bolts (2x) M8
11	Wiring hole	Left-hand side
12	Space for pipe connection	Right-hand side
13	Filter	

All measurements are in mm.

7.1.10 RPF1-(1.0-2.5)FSN2E - Floor concealed type

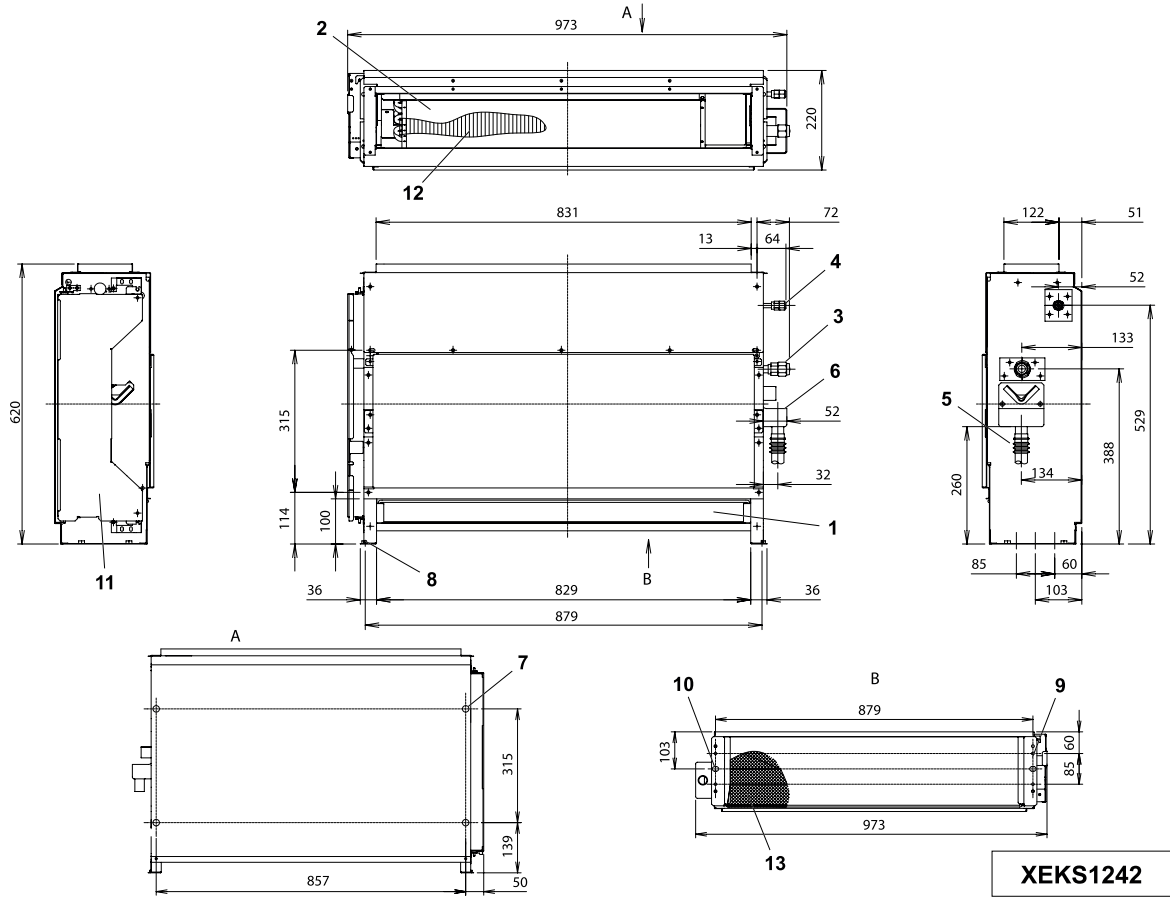
◆ **RPF1-1.0FSN2E - Floor concealed type**



No.	Description	Remarks
1	Air inlet	
2	Air outlet	
3	Refrigerant connection (gas)	Flare nut. $\phi 12.7$
4	Refrigerant connection (liquid)	Flare nut. $\phi 6.35$
5	Drain connection	
6	Drain pan	
7	Holes to fix the unit to the wall	(4x) $\phi 14$ (behind)
8	Adjusting screw	For the installation
9	Holes to fix the unit to the floor	(4x) $\phi 7$, bolts for wood (4x) M5
10	Holes to fix the unit to the floor	(2x) $\phi 12.5 \times 18$, bolts (2x) M8
11	Electrical box	
12	Evaporator	
13	Filter	

All measurements are in mm.

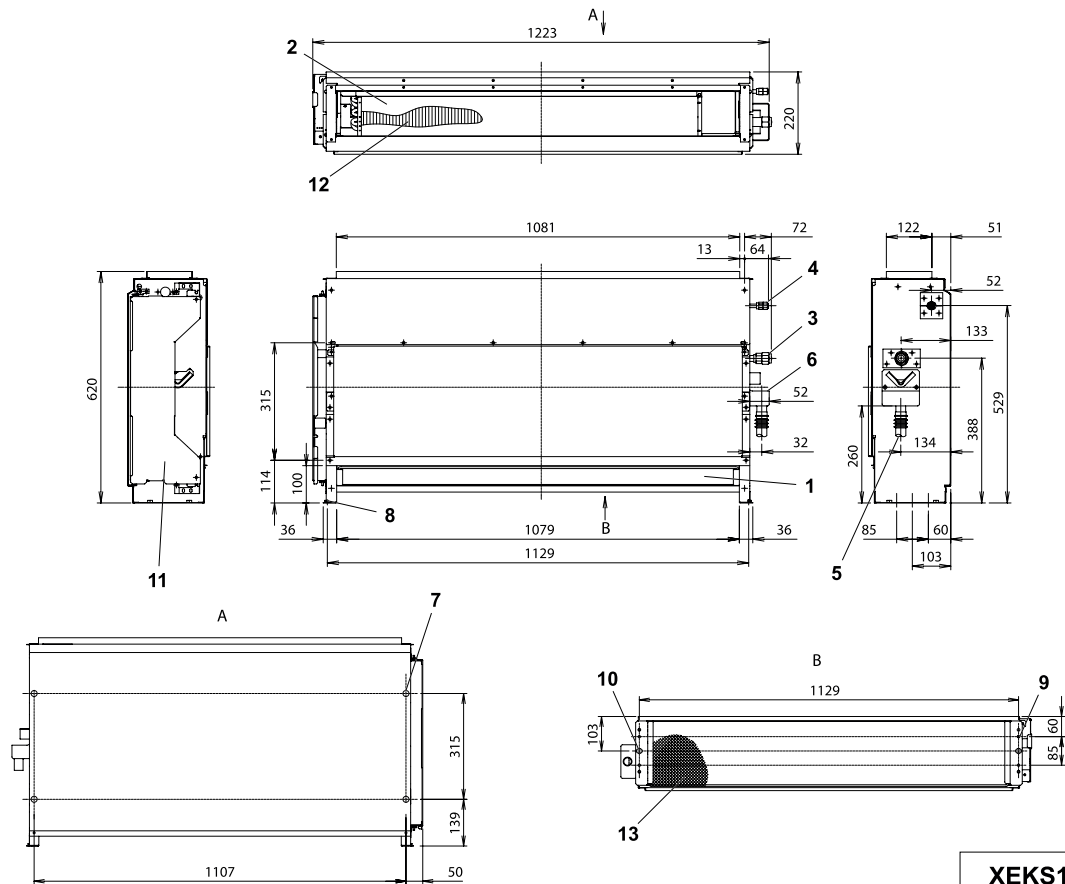
◆ **RPFI-1.5FSN2E - Floor concealed type**



No.	Description	Remarks
1	Air inlet	
2	Air outlet	
3	Refrigerant connection (gas)	Flare nut. $\phi 12.7$
4	Refrigerant connection (liquid)	Flare nut. $\phi 6.35$
5	Drain connection	
6	Drain pan	
7	Holes to fix the unit to the wall	(4x) $\phi 14$ (behind)
8	Adjusting screw	For the installation
9	Holes to fix the unit to the floor	(4x) $\phi 7$, bolts for wood (4x) M5
10	Holes to fix the unit to the floor	(2x) $\phi 12.5 \times 18$, bolts (2x) M8
11	Electrical box	
12	Evaporator	
13	Filter	

All measurements are in mm.

◆ **RPFI-(2.0/2.5)FSN2E - Floor concealed type**



No.	Description	Remarks
1	Air inlet	
2	Air outlet	
3	Refrigerant connection (gas)	Flare nut. $\phi 15.88$
4	Refrigerant connection (liquid)	Flare nut. $\phi 6.35$ RPFI-(2.0), $\phi 9.53$ RPFI-(2.5)
5	Drain connection	
6	Drain pan	
7	Holes to fix the unit to the wall	(4x) $\phi 14$ (behind)
8	Adjusting screw	For the installation
9	Holes to fix the unit to the floor	(4x) $\phi 7$, bolts for wood (4x) M5
10	Holes to fix the unit to the floor	(2x) $\phi 12.5 \times 18$, bolts (2x) M8
11	Electrical box	
12	Evaporator	
13	Filter	

All measurements are in mm.