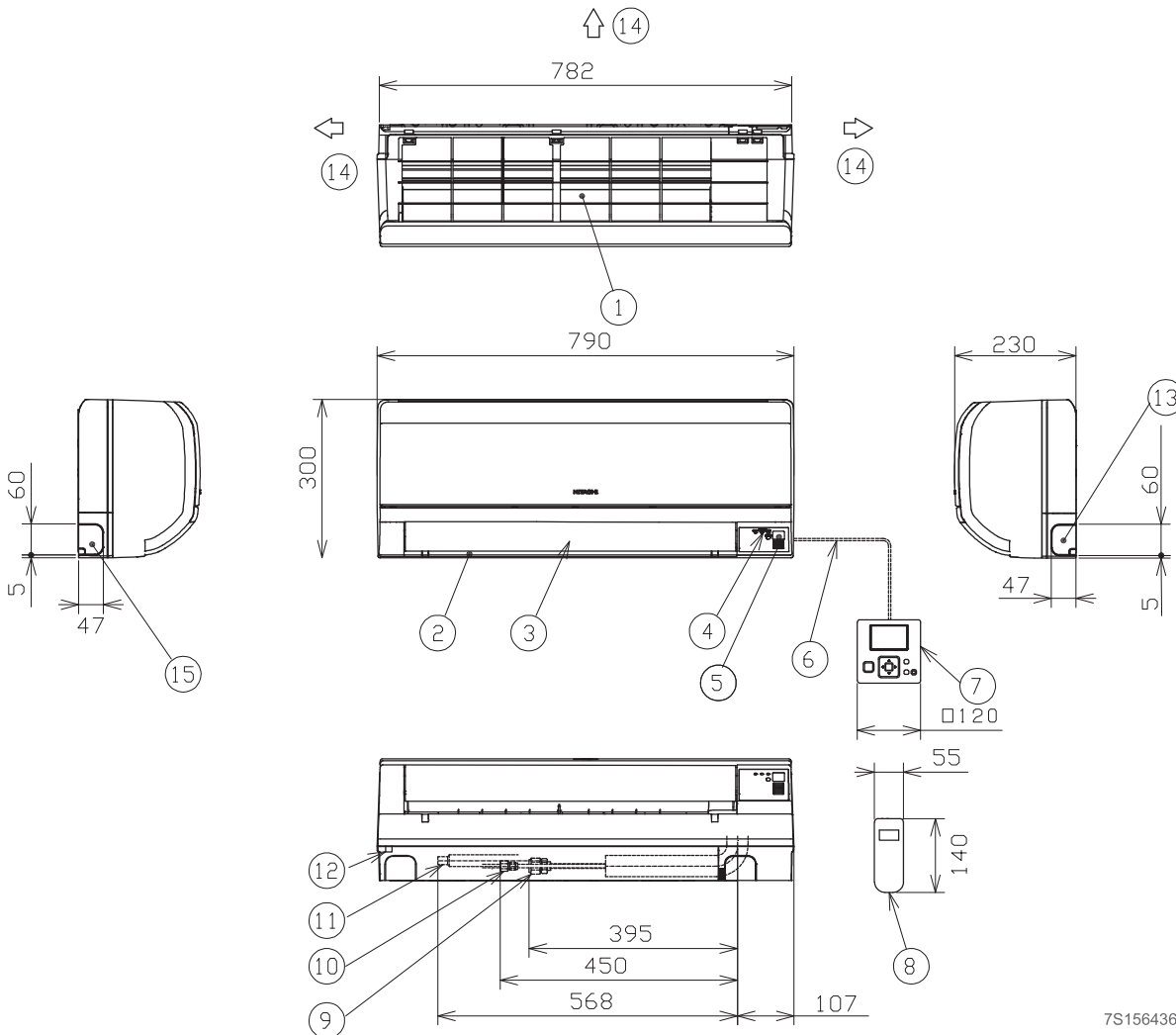


7.1.8 RPK-(0.4-4.0)FSRM / RPK-(0.4/1.5)FSRHM with expansion valve kit EV-1.5N1- Wall type

◆ **RPK-(0.4-1.0)FSR(H)M - Wall type**



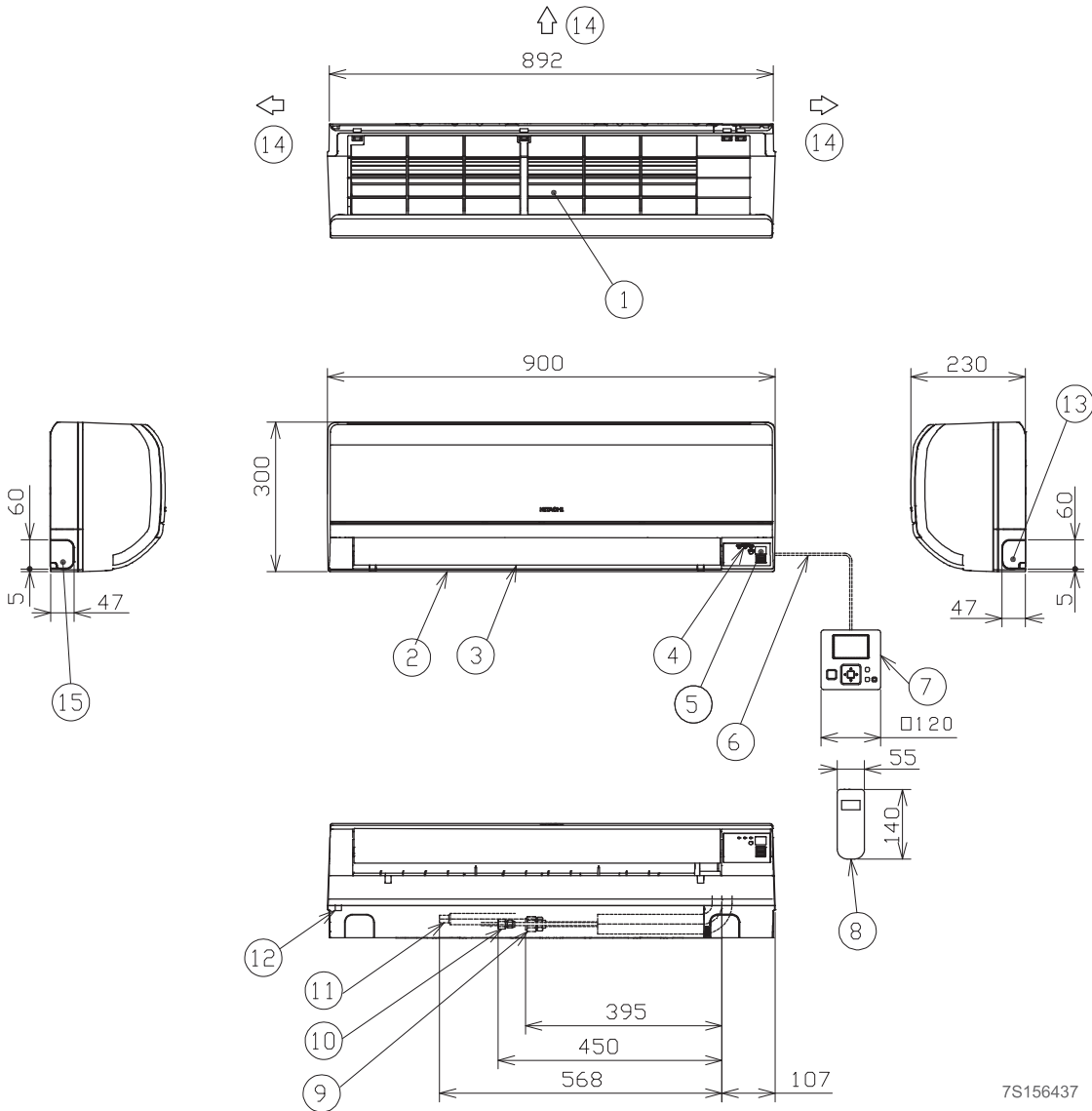
7S156436

Number	Description	Number	Description
1	Air Inlet	10	Refrigerant connection (liquid line) (6.35 mm)
2	Air Outlet	11	Drain Pipe Connection (VP16)
3	Auto lover	12	Drain Pipe Connection (left side)
4	Display part	13	Wiring and piping hole (right side)
5	IR receiver part (included on indoor units as standard)	14	Piping installation: back side, right side, bottom side, or left side
6	Twisted pair cable (0.75 mm ²) (field supplied)		
7	Wired remote control switch (sold separately)	15	Wiring and piping hole (left side)
8	Wireless remote control switch (sold separately)		
9	Refrigerant connection (gas line) (12.7 mm)		

i NOTE

All measurements are in mm.

◆ RPK-1.5FSR(H)M - Wall type



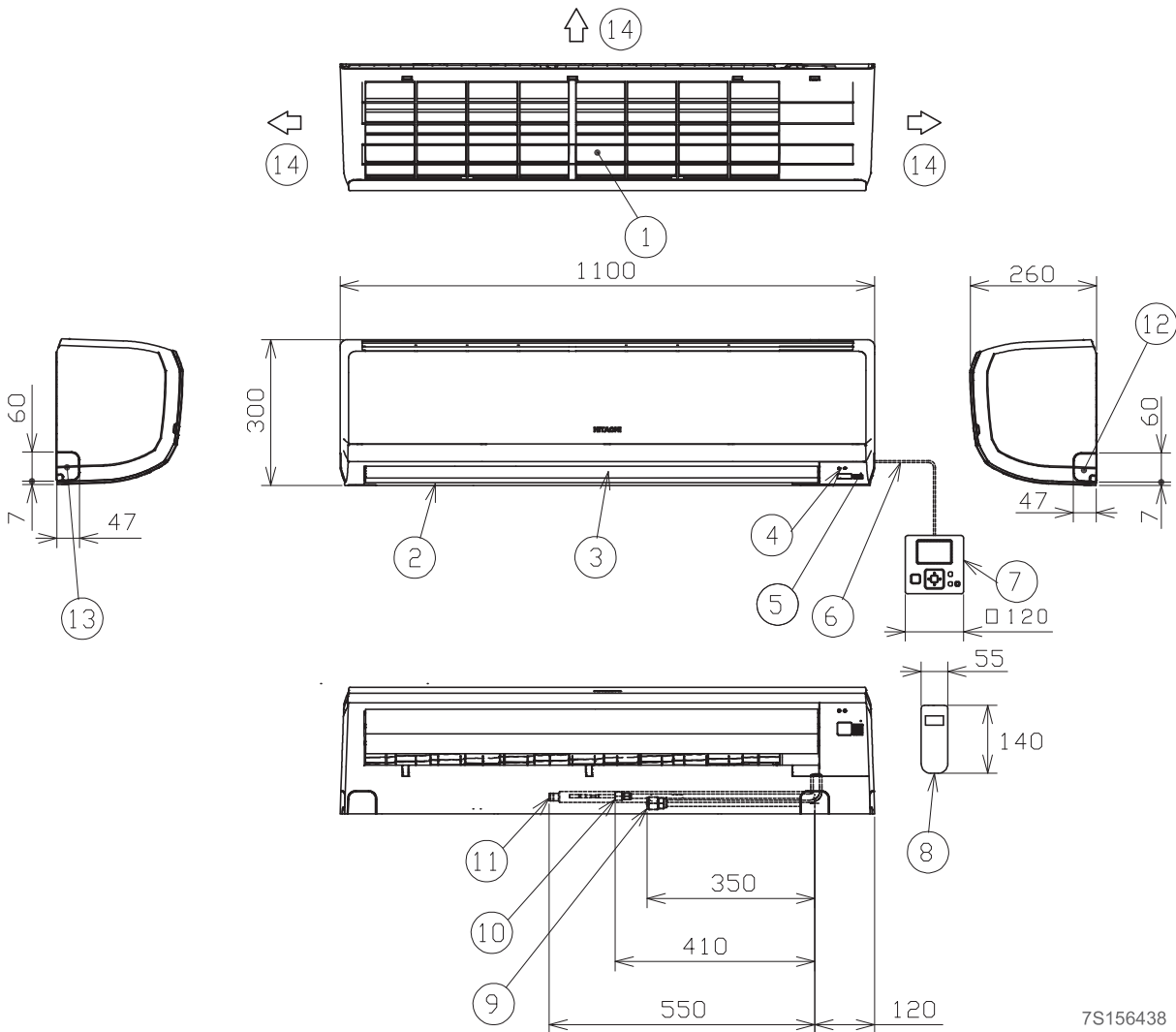
7S156437

Number	Description	Number	Description
1	Air Inlet	10	Refrigerant connection (liquid line) (6.35 mm)
2	Air Outlet	11	Drain Pipe Connection (VP16)
3	Auto lover	12	Drain Pipe Connection (left side)
4	Display part	13	Wiring and piping hole (right side)
5	IR receiver part (included on indoor units as standard)	14	Piping installation: back side, right side, bottom side, or left side
6	Twisted pair cable (0.75 mm ²) (field supplied)		
7	Wired remote control switch (sold separately)	15	Wiring and piping hole (left side)
8	Wireless remote control switch (sold separately)		
9	Refrigerant connection (gas line) (12.7 mm)		

i NOTE

All measurements are in mm.

◆ RPK-(2.0-4.0)FSRM - Wall type



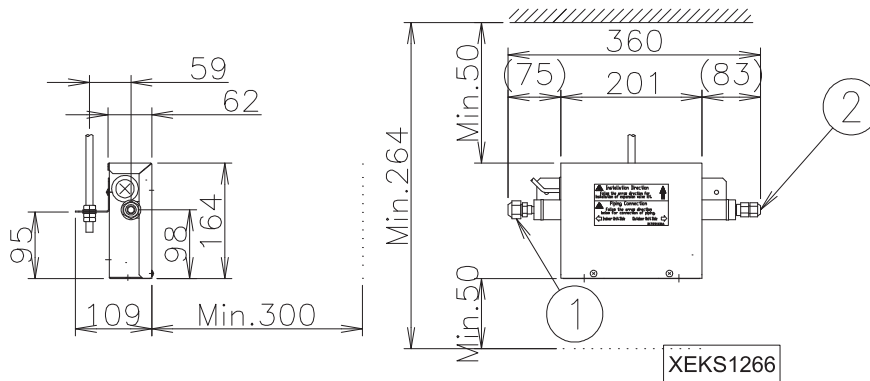
7S156438

Number	Description	Number	Description
1	Air Inlet	10	Refrigerant connection (liquid line) (2 HP: 6.35 mm / 2.5~4.0HP: 9.52 mm)
2	Air Outlet	11	Drain Pipe Connection (VP16)
3	Auto lover	12	Wiring and piping hole (right side)
4	Display part	13	Wiring and piping hole (left side)
5	IR receiver part (included on indoor units as standard)	14	Piping installation: back side, right side, bottom side, or left side
6	Twisted pair cable (0.75 mm ²) (field supplied)		
7	Wired remote control switch (sold separately)		
8	Wireless remote control switch (sold separately)		
9	Refrigerant connection (gas line) (2HP: 12.7 mm / 2.5~4.0HP: 15.88 mm)		

i NOTE

All measurements are in mm.

◆ Expansion valve kit EV-1.5N1



Number	Description	Remarks
1	Refrigerant liquid pipe connection (indoor unit side)	With $\varnothing 9.52$ flare nut
2	Refrigerant liquid pipe connection (outdoor unit side)	With $\varnothing 6.35$ flare nut

i NOTE

All measurements are in mm.