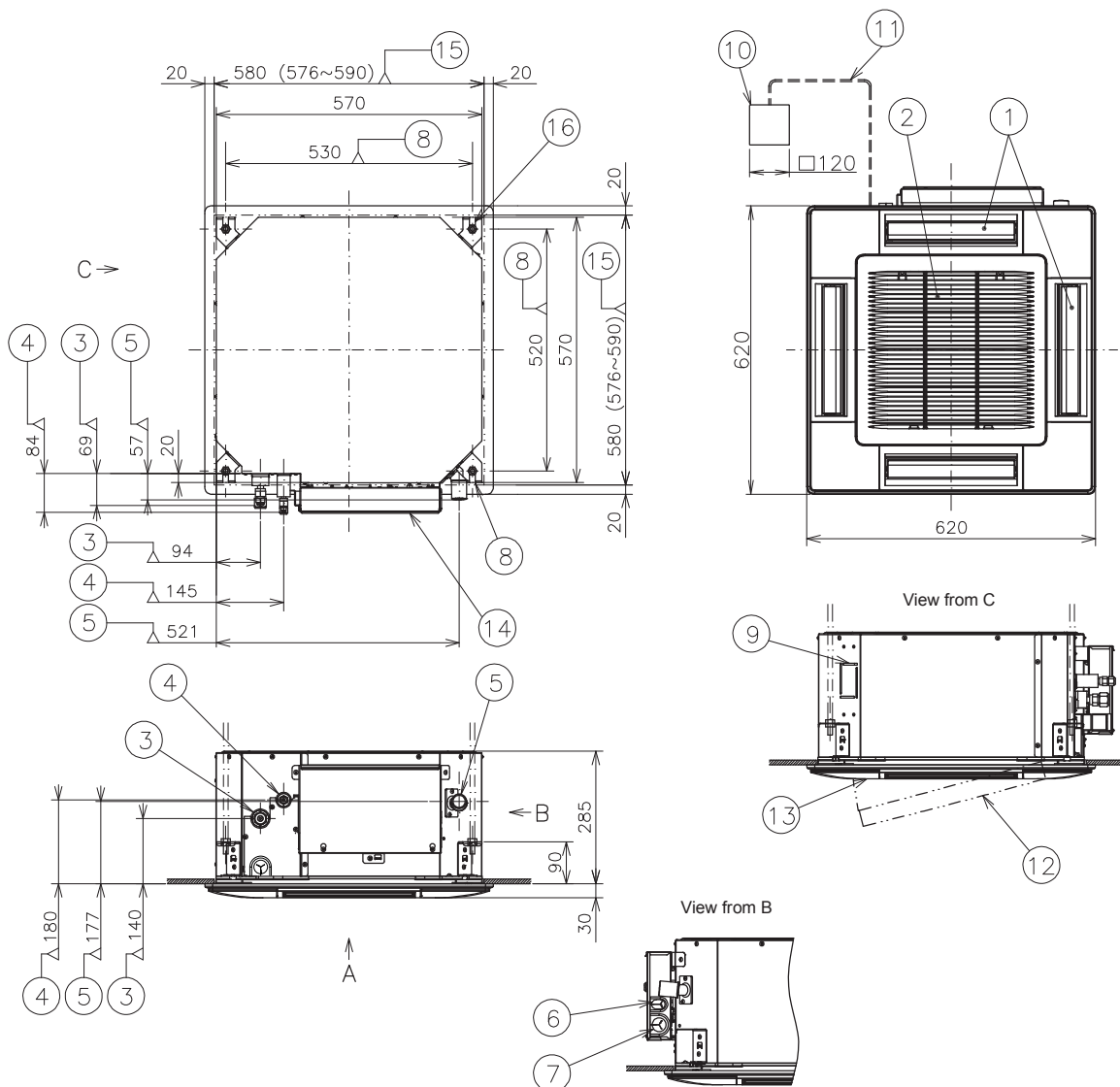


## 7.1.2 RCIM-(0.4-2.5)FSRE - 4-way cassette (compact)

## ◆ RCIM-(0.4-2.5)FSRE with panel P-AP56NAM / P-AP56NAMS / P-AP56NAMR



N°	Description	Remarks
1	Air outlet	4-way
2	Air inlet	
3	Refrigerant connection (gas line)	Flare nut, (0.4/0.6/0.8/1.0/1.5/2.0 HP): $\phi 12.7$ , (2.5 HP): $\phi 15.88$
4	Refrigerant connection (liquid line)	Flare nut, (0.4/0.6/0.8/1.0/1.5/2.0 HP): $\phi 6.35$ , (2.5 HP): $\phi 9.52$
5	Drain connection	$\phi 32$ (VP25)
6	Wiring hole for air panel and motion sensor cables	$\phi 20$
7	Wiring hole for the cables for power source, communication, controller, optional wire controller	$\phi 30$
8	Unit suspension bolt	(4x) M10 or W3/8 (field supplied)
9	Fresh air intake position (Duct adapter connection)	100 x 100 knockout hole
10	Wired Remote Control Switch	Sold separately as an option
11	Shielded Twist-Pair Cable	For Remote Control Switch (field supplied)
12	Air inlet grille	
13	Air panel	Sold separately as an option (Required)
14	Electrical control box	
15	Opening hole for ceiling	
16	Hole for suspension bolt	4 - 12

**NOTE**

- Distance between the wall and panel edge must be a min. 1500mm to prevent short circuiting.
- All measurements are in mm.