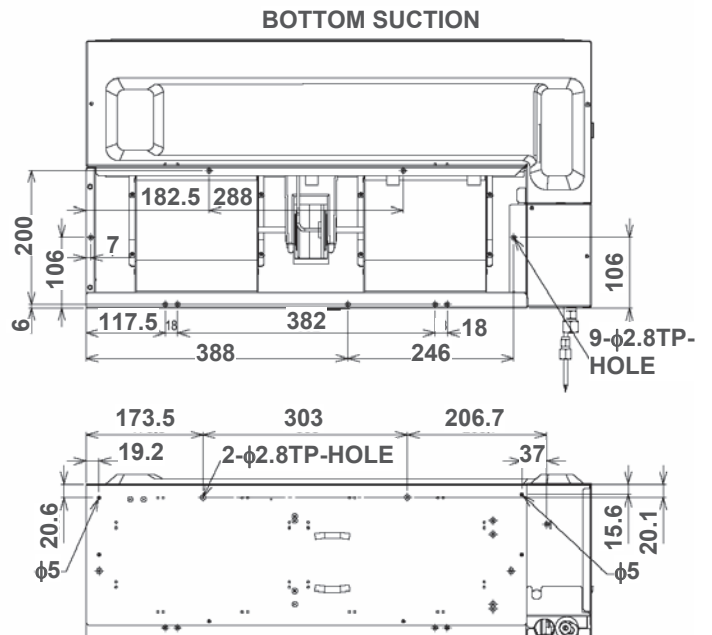
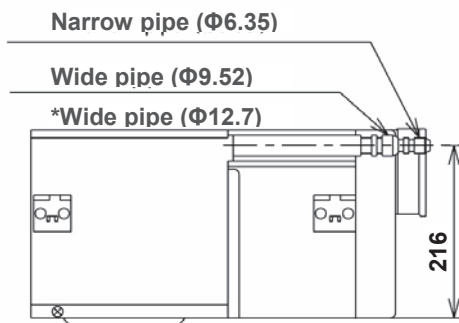
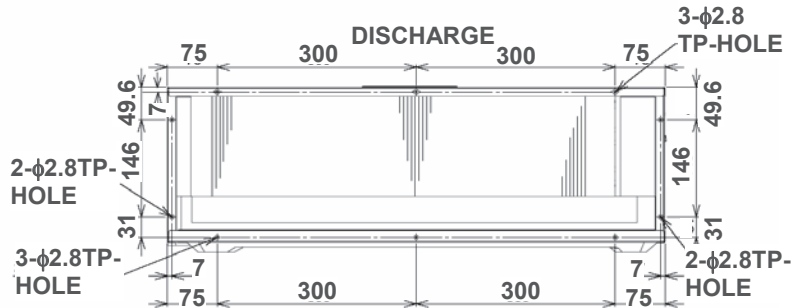
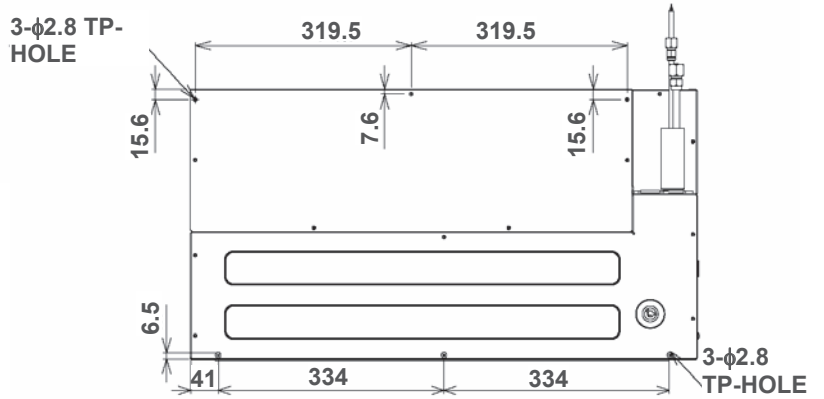
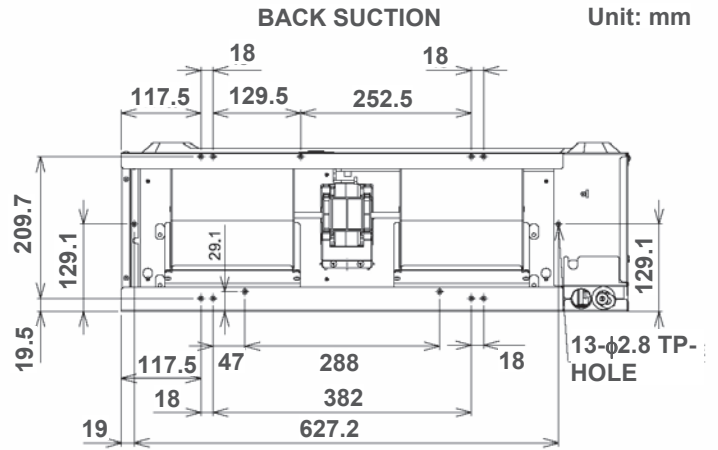
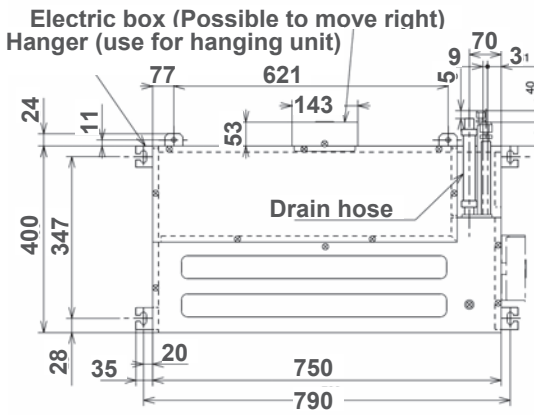


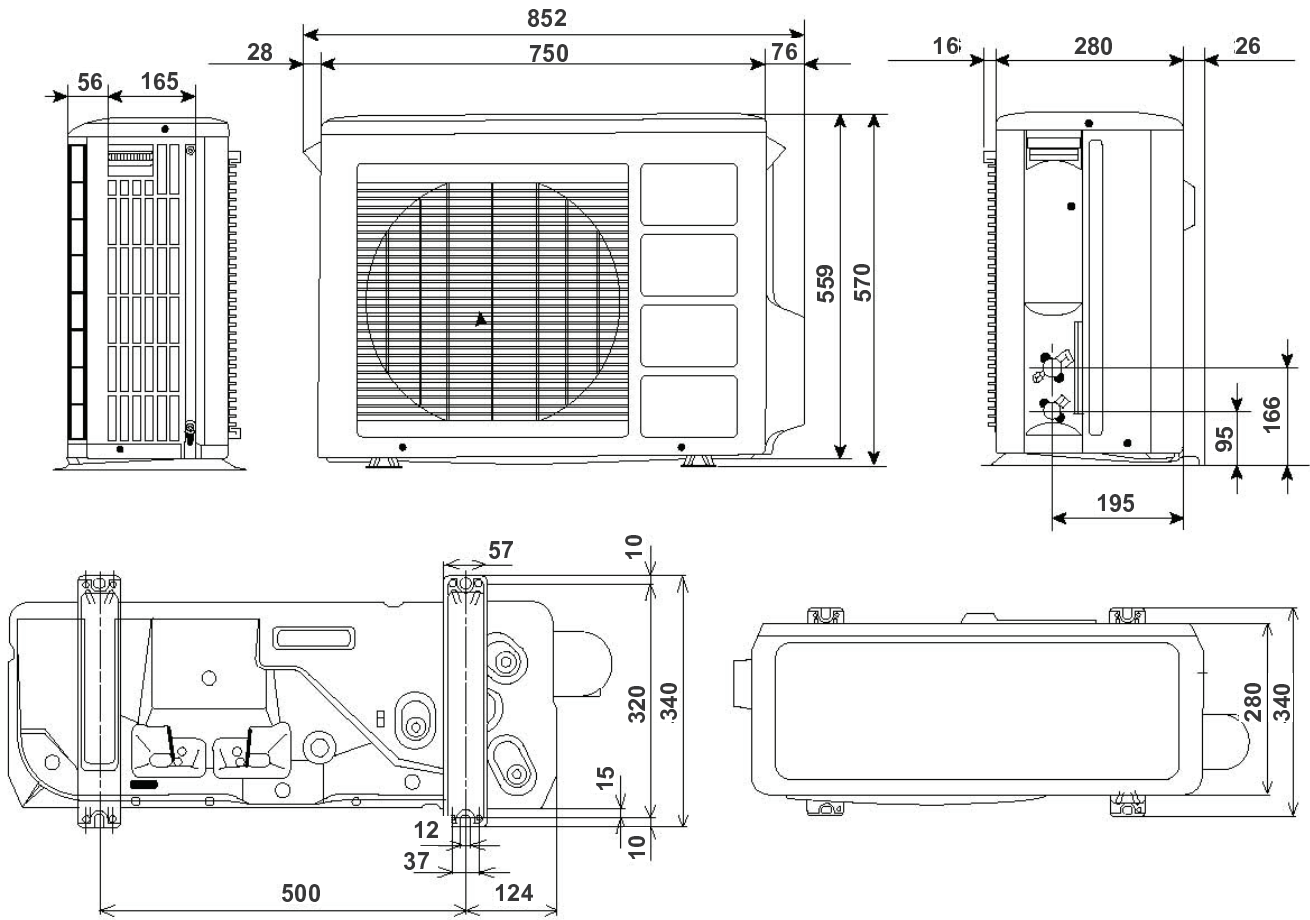
3.1.6. DUCT TYPE: RAD-18RPA/25RPA/35RPA/50RPA



3.2. MONOZONE / MULTIZONE OUTDOOR UNITS

3.2.1. MONOZONE: RAC-25NPA/35NPA

Unit: mm



3.2.2. MONOZONE: RAC-50NPA

Unit: mm

