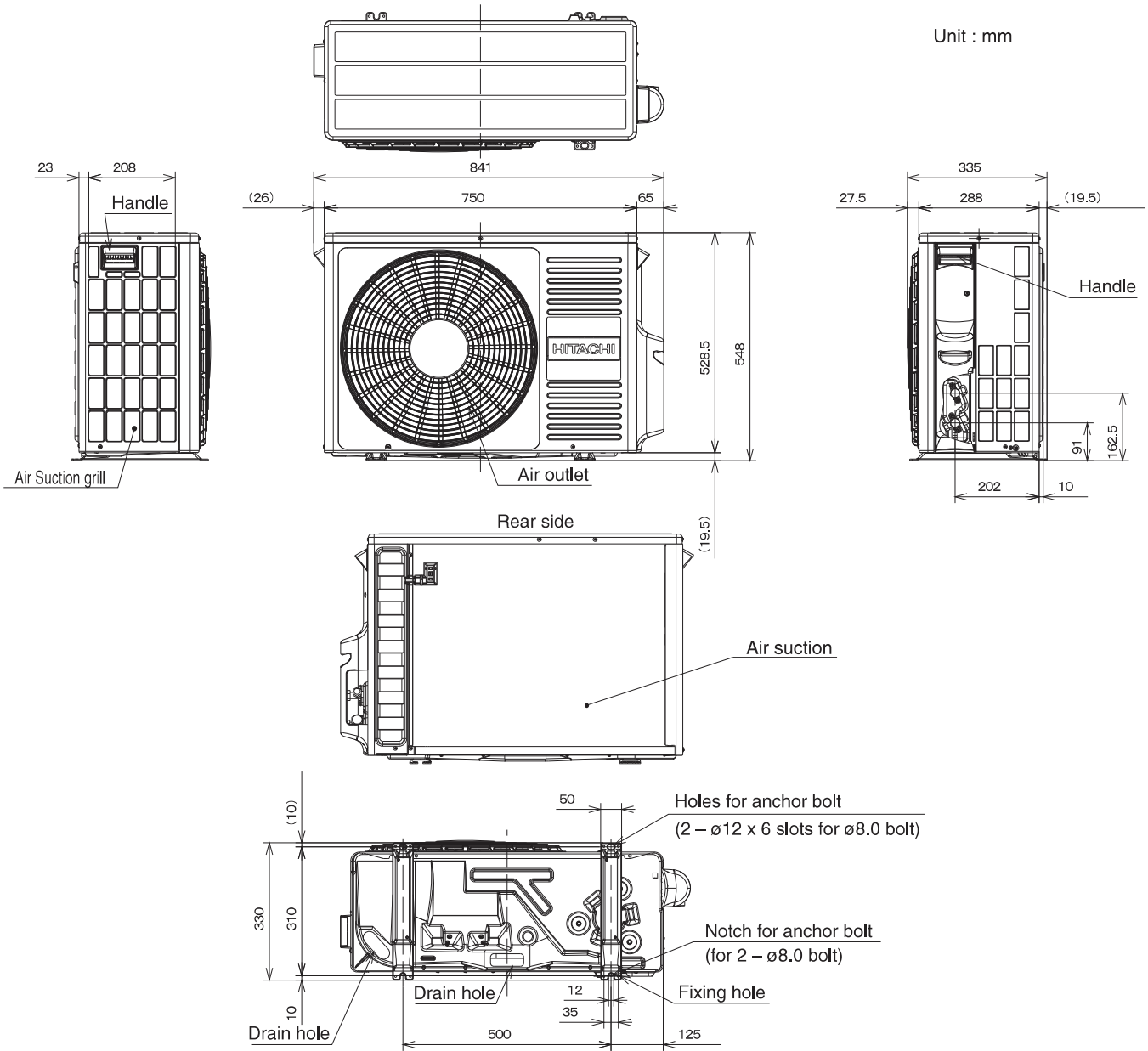


2.2. WALL TYPE :RAC-18WPE/25WPE/35WPE

Unit : mm



## 2.3. WALL TYPE:RAC-42WPE/50WPE

Unit : mm

