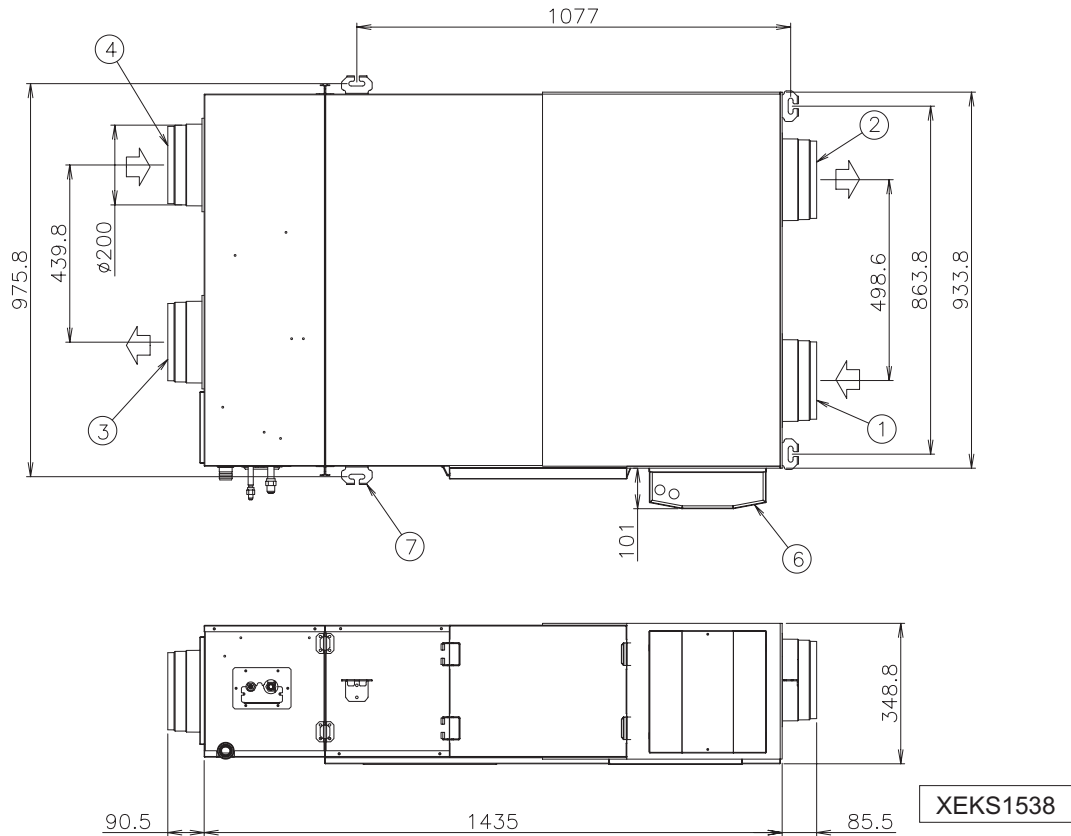


◆ **KPI-502X3E - Active energy recovery ventilation units**

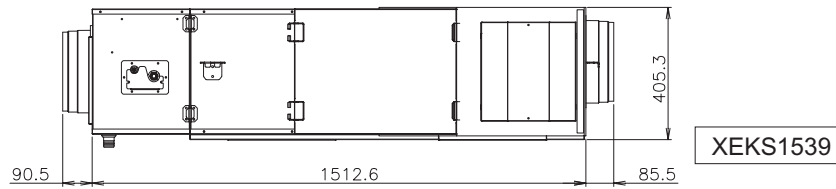
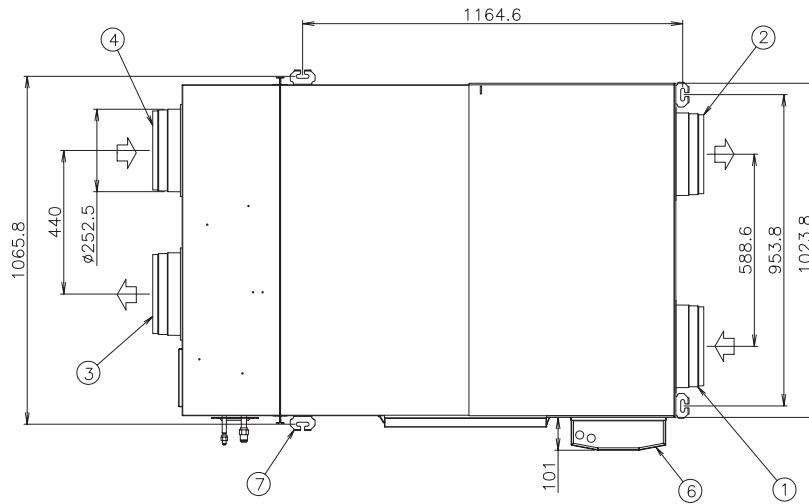


No.	Description	Remarks
1	Outdoor air	Fresh air inlet from outdoors
2	Exhaust air	Exhaust air outlet to outdoors
3	Air supply	Fresh air to the room
4	Return air	Exhaust air from the room
6	Electrical box	
7	Unit suspension bracket	(4x)

All measurements are in mm.



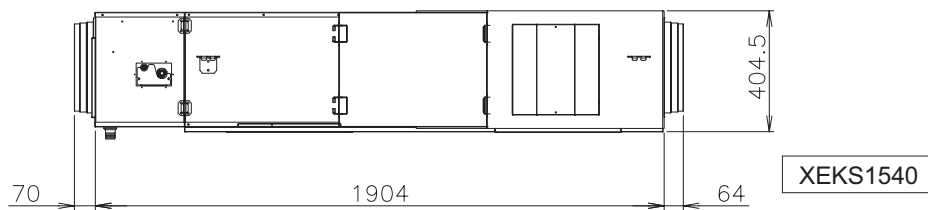
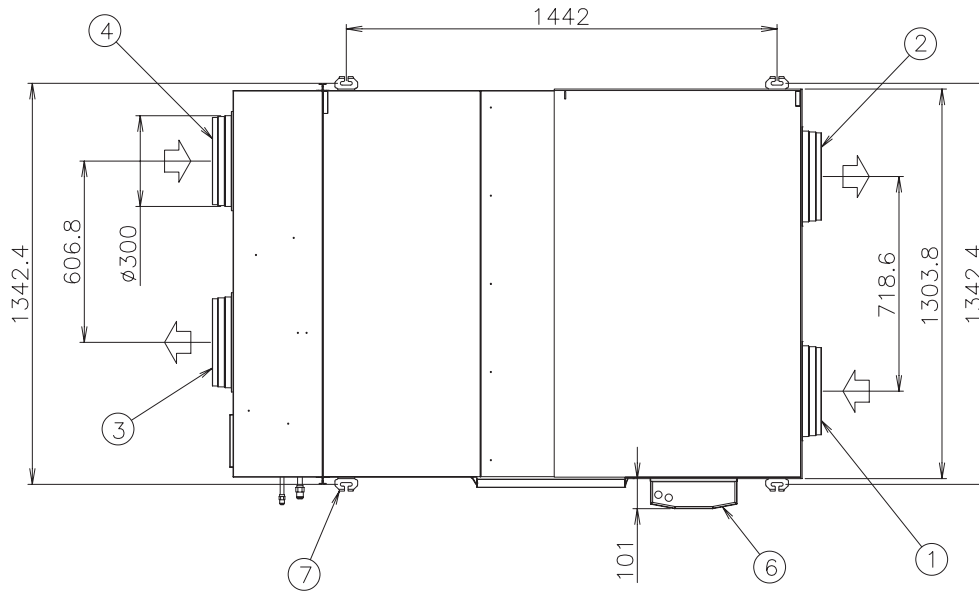
◆ **KPI-802X3E - Active energy recovery ventilation units**



No.	Description	Remarks
1	Outdoor air	Fresh air inlet from outdoors
2	Exhaust air	Exhaust air outlet to outdoors
3	Air supply	Fresh air to the room
4	Return air	Exhaust air from the room
6	Electrical box	
7	Unit suspension bracket	(4x)

All measurements are in mm.

◆ **KPI-1002X3E - Active energy recovery ventilation units**



No.	Description	Remarks
1	Outdoor air	Fresh air inlet from outdoors
2	Exhaust air	Exhaust air outlet to outdoors
3	Air supply	Fresh air to the room
4	Return air	Exhaust air from the room
6	Electrical box	
7	Unit suspension bracket	(4x)

All measurements are in mm.

