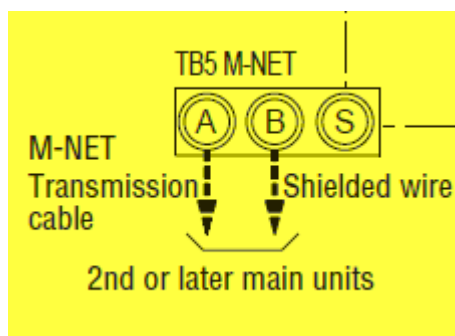
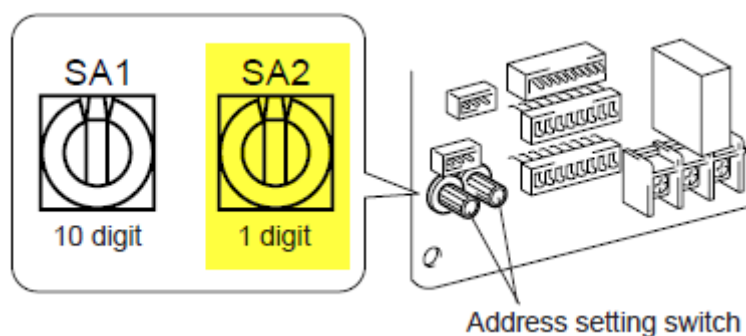


Number	085
Subject	AG150 with M Series, S Series and Lossnay
Date	08 May 2013

Lossnay units can be wired directly to the AG-150 or (similar central controller) via TB5.



These can be daisy chained together. Manual addressing is via SA1 and SA2 Rotary Switches on the Indoor PCB.



M Series and S Series units are all classed as RAC (Room Air Conditioner) models.

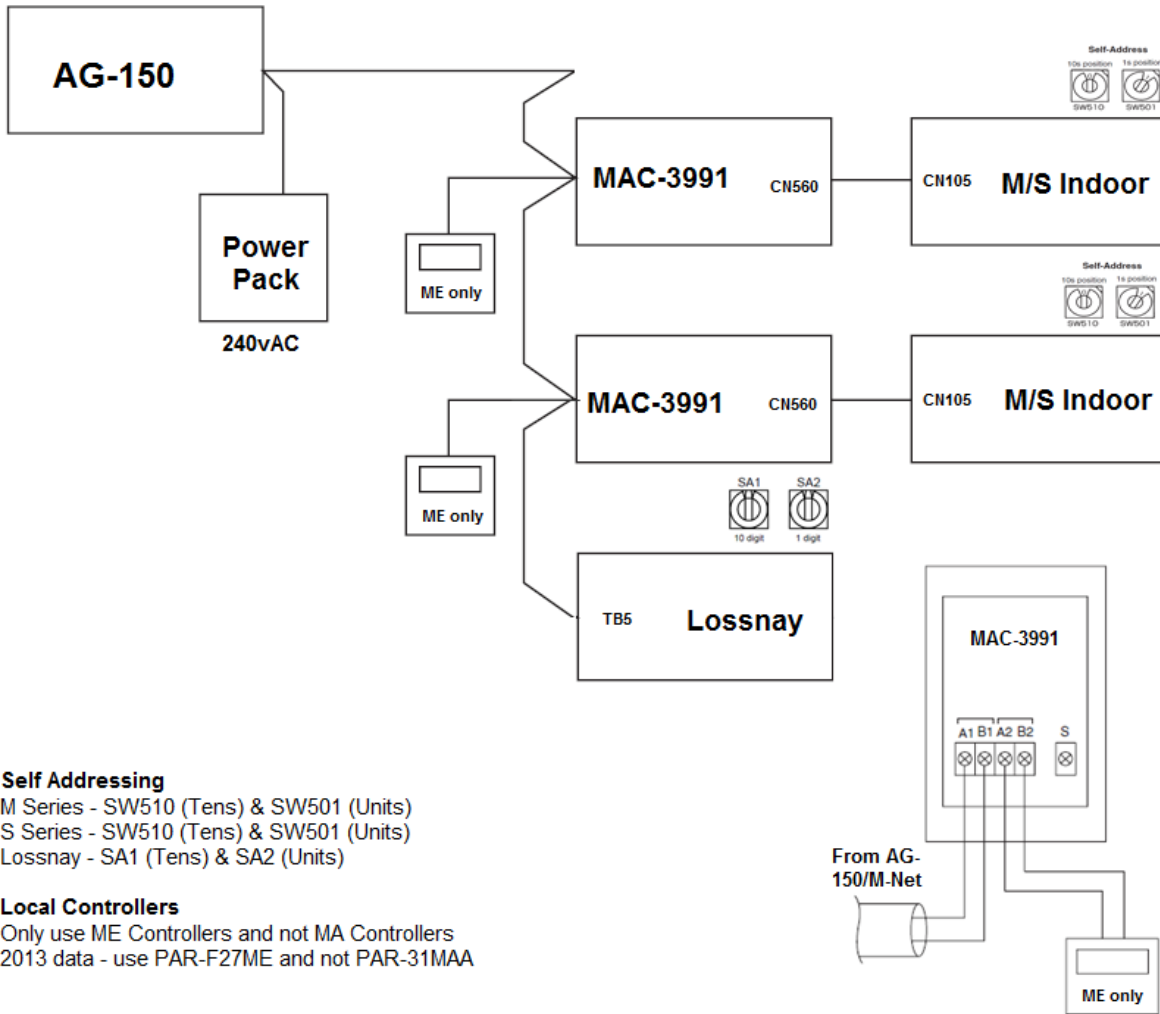
To get these units onto the M-Net (Mitsubishi Net – language used on City Multi, Central Control etc) you will require a **MAC-3991** adapter.

You can also use a hard wired controller but this must be the ME type (**PAR-F27MEA**) and not the MA type (PAR-31MAA).

Manual Addressing can be done via SW510 and SW501 on the MAC-3991 adapter.

MA type controllers can only be used when using a MAC-3971 adapter which is used for hard wired control interface with M Series only.

See following page for example of M/S Series and Lossnay units wired to a Central Controller



Self Addressing

M Series - SW510 (Tens) & SW501 (Units)

S Series - SW510 (Tens) & SW501 (Units)

Lossnay - SA1 (Tens) & SA2 (Units)

Local Controllers

Only use ME Controllers and not MA Controllers

2013 data - use PAR-F27ME and not PAR-31MAA