

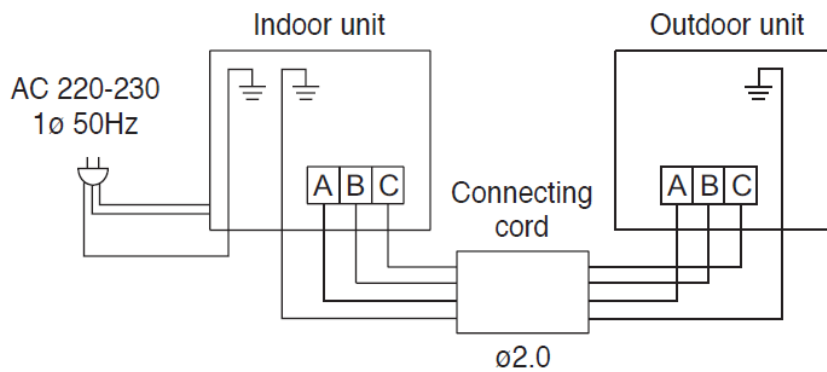
Technical Bulletin

Number	040
Subject	Hitachi SX8 models 18 to 35 SX8
Date	24 February 2010

Wiring

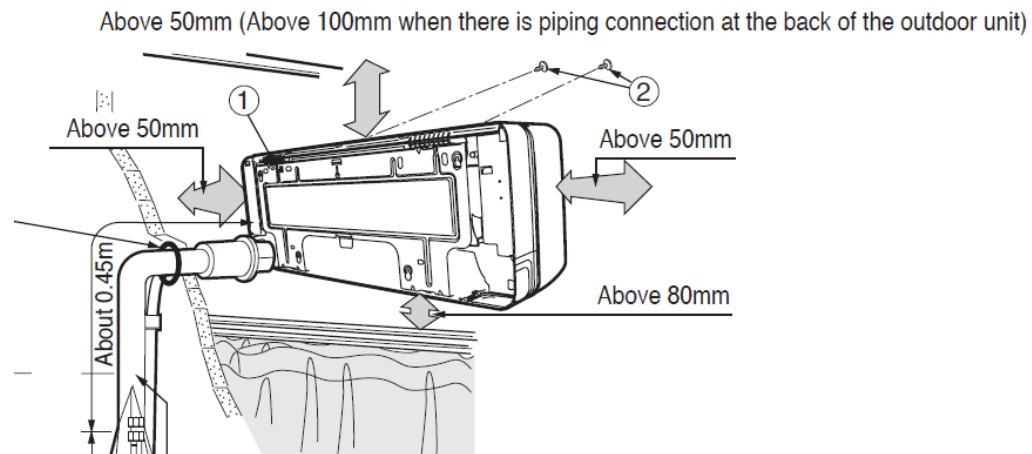
Hitachi Summit SX8 models are wired to the Indoor Unit with a three core (plus earth) interconnecting cable to the outdoor unit.

Interconnecting cable is to terminals A, B and C plus Earth.



Please note that condensate pumps must **not** be wired to the indoor unit terminals.

Clearances

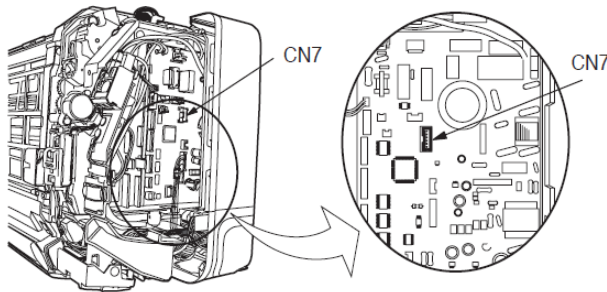


Technical Bulletin

Torque Settings

		Outer diameter of pipe (ø)	Torque N•m (kgf•cm)
Small diameter side		6.35 (1/4 ")	13.7~18.6 (140~190)
Large diameter side		9.52 (3/8 ")	34.3~44.1 (350~450)
Valve head cap	Small diameter side	6.35 (1/4 ")	19.6~24.5 (200~250)
	Large diameter side	9.52 (3/8 ")	19.6~24.5 (200~250)
Valve core cap			12.3~15.7 (125~160)

Optional H-Link Control



All Hitachi RAC models from 5A or 6 series can interface with H-Link control (Utopia Splits and Set Free VRF).

To enable this an optional PSC-6RAD adapter is required. These need to be wired into the indoor PCB at connector CN7.

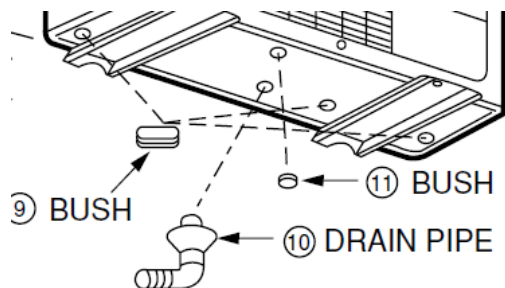
Unlike other RAC models this system cannot be controlled by the Hitachi RAC hard wired controller.

Refrigerant Charge

All models are pre-charged to their maximum run of 20 metres. Minimum pipe run is 5 metres

Drain

All models come with a drain elbow included.



Technical Bulletin

Model Specification – Models 18 – 35

Indoor Unit Technical Data

Model	RAS-18SX8	RAS-25SX8	RAS-35SX8
Cooling (kW) - Nominal	1.80	2.50	3.50
Heating (kW) - Nominal	2.10	3.20	4.20
Cooling (kW) - UK Condition	1.90	2.70	4.30
Sensible Cooling Duty (UK)	1.70	2.40	2.80
Sound Pressure - Cooling (dBA)	38/32/26/20	42/34/28/20	43/34/28/20
Sound Pressure - Heating (dBA)	39/33/27/23	42/35/30/20	44/35/30/20
Height (mm)	298	298	298
Width (mm)	793	793	793
Depth (mm)	233	233	233
Weight (kG)	11.50	11.50	11.50
Air Flow - Cooling (m ³ /min)	8.0/6.2/4.5/3.5	11.5/8.3/7.2/5.2	11.9/8.8/8.1/5.2
Air Flow - Heating (m ³ /min)	9.5/7.0/5.5/3.3	12.5/9.0/8.0/5.3	13.4/10.2/9.0/5.3

Outdoor Unit Technical Data

Model	RAC-18SX8	RAC-25SX8	RAC-35SX8
Height (mm)	570	570	570
Width (mm)	750	750	750
Depth (mm)	288	288	288
Weight (kG)	36	36	36
Sound Pressure - Cooling (dBA)	45	45	46
Sound Pressure - Heating (dBA)	46	45	46
Liquid (mm(inches))	6.35 (1/4)	6.35 (1/4)	6.35 (1/4)
Gas (mm(inches))	9.52 (3/8)	9.52 (3/8)	9.52 (3/8)
Max Pipe Run	20	20	20
Max Pipe Lift	10	10	10
Pre-charged to (m)	20	20	20
Standing Charge (kG)	1.19	1.19	1.19
Refrigerant	R410a	R410a	R410a
Phase	Single	Single	Single
Power Supply to	Indoor	Indoor	Indoor
Starting Current (A)	5.80	5.80	6.20
Fuse Rating (A)	16	16	16
Interconnecting	3C + E*	3C + E*	3C + E*
System Power Input (Cool/Heat) - watts	281/347	446/557	816/847