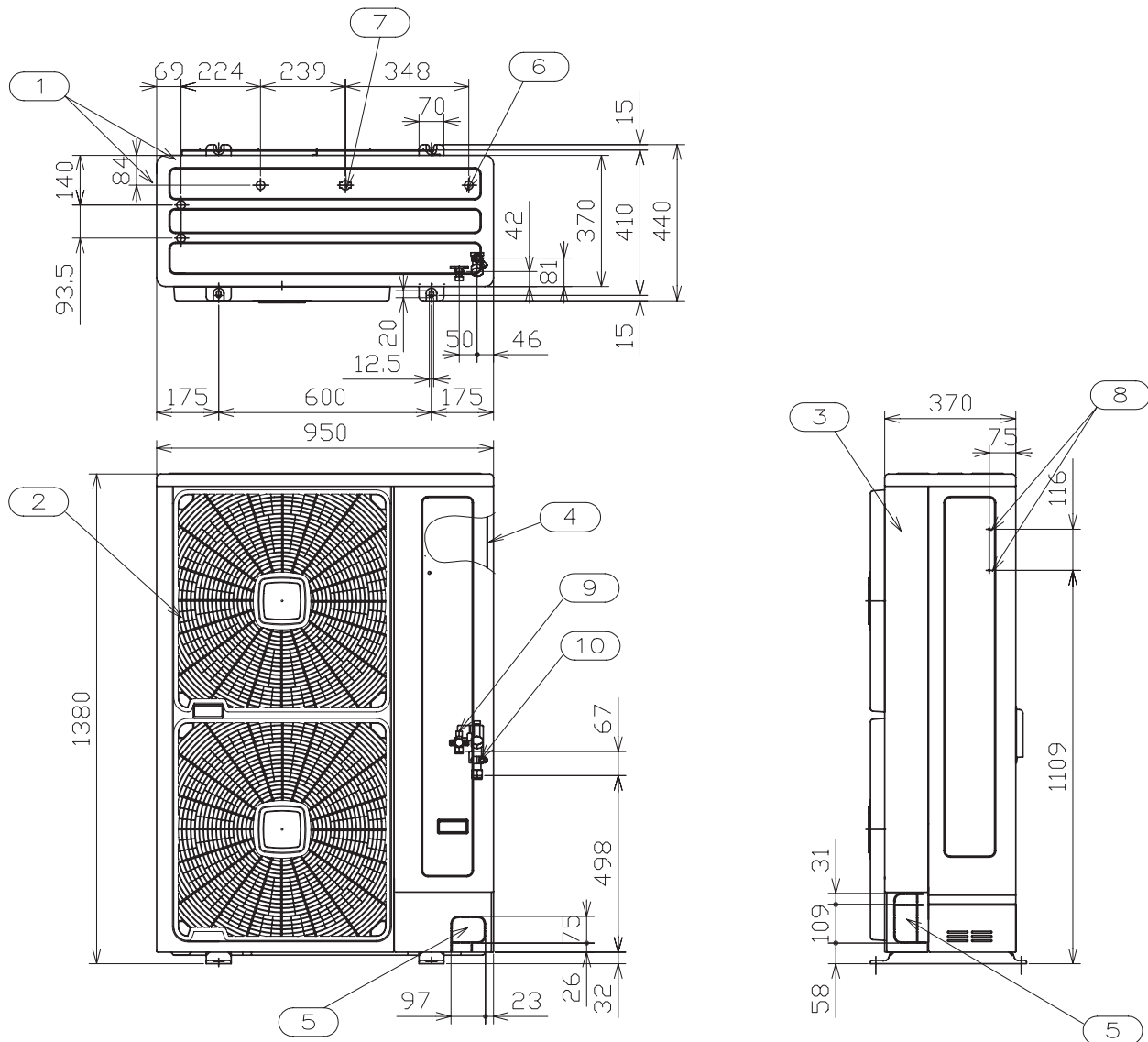


7.1 Dimensions

RAS-(4-6)FS(V)N(Y)E



Units in mm.

N°	Part name	Remarks
1	Air inlet	—
2	Air outlet	—
3	Service cover	—
4	Electrical switch box	—
5	Holes for refrigerant piping and electrical wiring piping	—
6	Drain holes	3-Ø24
7	Drain holes	2-Ø26
8	Holes for fixing machine to wall	4-(M5)
9	Refrigerant liquid pipe	Flare nut: Ø9.53 (3/8")
10	Refrigerant gas pipe	Flare nut: Ø15.88 (5/8")

