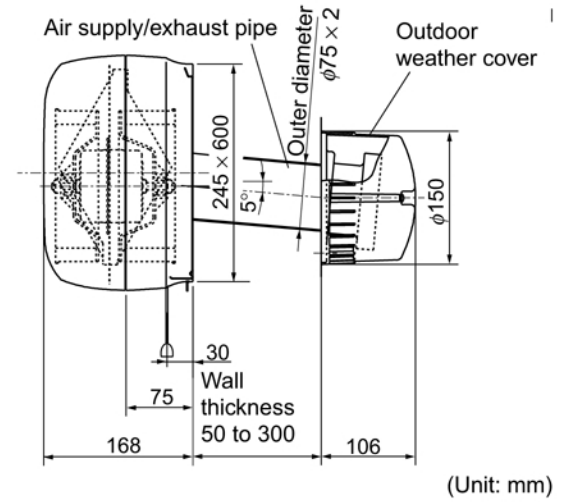
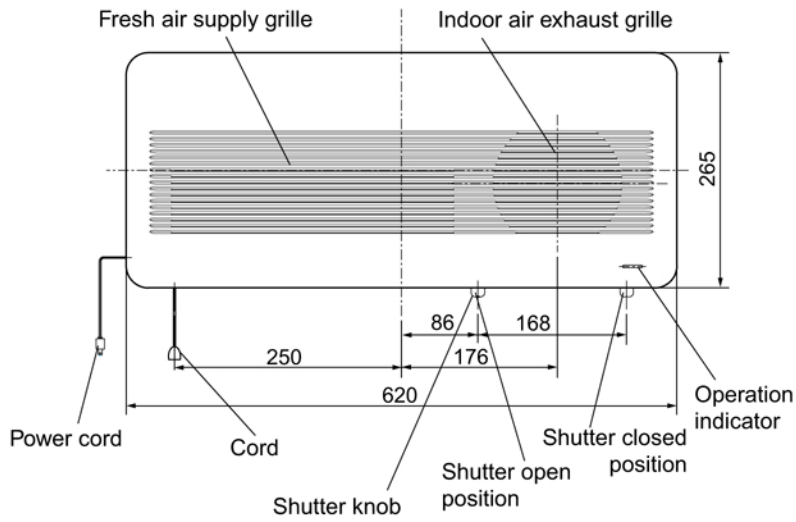


Outline drawings



If the wall is thicker than 300 mm, use the extension pipes and the pipe extension joints (separately sold parts).