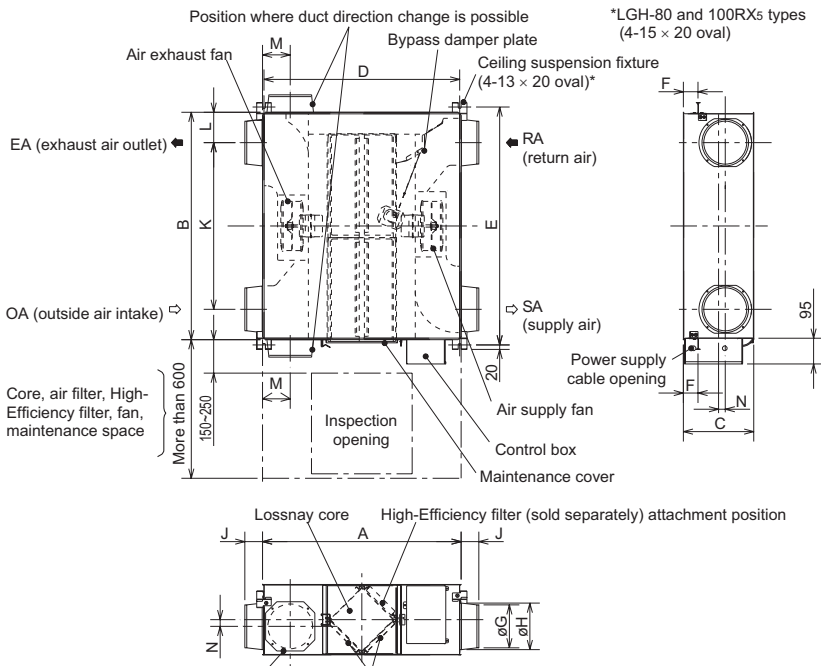


# Outline drawings

## LGH-15 to 100 RX5



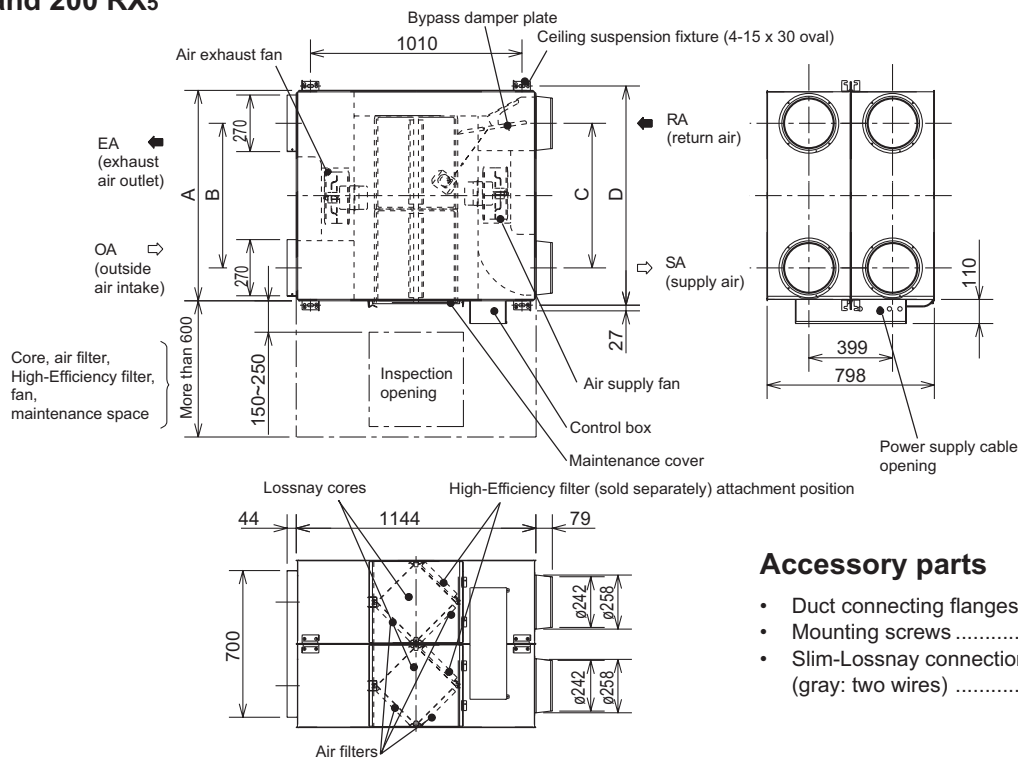
## Accessory parts

- Mounting screws ..... x16
- Duct connecting flanges ..... x4 (double flanges at SA and EA sides)
- Slim-Lossnay connection cable (gray: two wires) ..... x1

Position where duct direction change is possible Air filters Unit (mm)

Model	Dimensions			Ceiling suspension fixture pitch			Nominal diameter	Duct connecting flange			Duct pitch				Weight (kg)
	A	B	C	D	E	F		G	H	J	K	L	M	N	
LGH-15 RX5	780	735	273	768	782	65	100	97.5	110	103	530	102.5	102	30	20
LGH-25 RX5	780	735	273	768	782	65	150	142	160	63	530	102.5	102	30	20
LGH-35 RX5	888	874	315	875	921	80	150	142	160	64	650	112	124	55	29
LGH-50 RX5	888	1016	315	875	1063	65	200	192	208	79	745	135.5	124	30	32
LGH-65 RX5	908	954	386	895	1001	70	200	192	208	79	692	131	133	-	40
LGH-80 RX5	1144	1004	399	1010	1036	389	250	242	258	79	690	157	165	-	53
LGH-100 RX5	1144	1231	399	1010	1263	389	250	242	258	79	917	157	165	-	59

## LGH-150 and 200 RX5



## Accessory parts

- Duct connecting flanges ..... x4
- Mounting screws ..... x16
- Slim-Lossnay connection cable (gray: two wires) ..... x1

Unit (mm)

Model	A	B	C	D	Weight (kg)
LGH-150 RX5	1004	690	690	1045	105
LGH-200 RX5	1231	917	917	1272	118