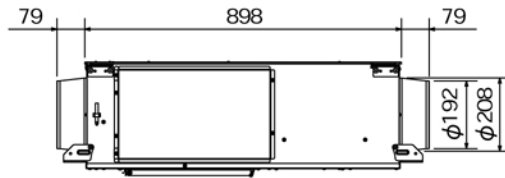
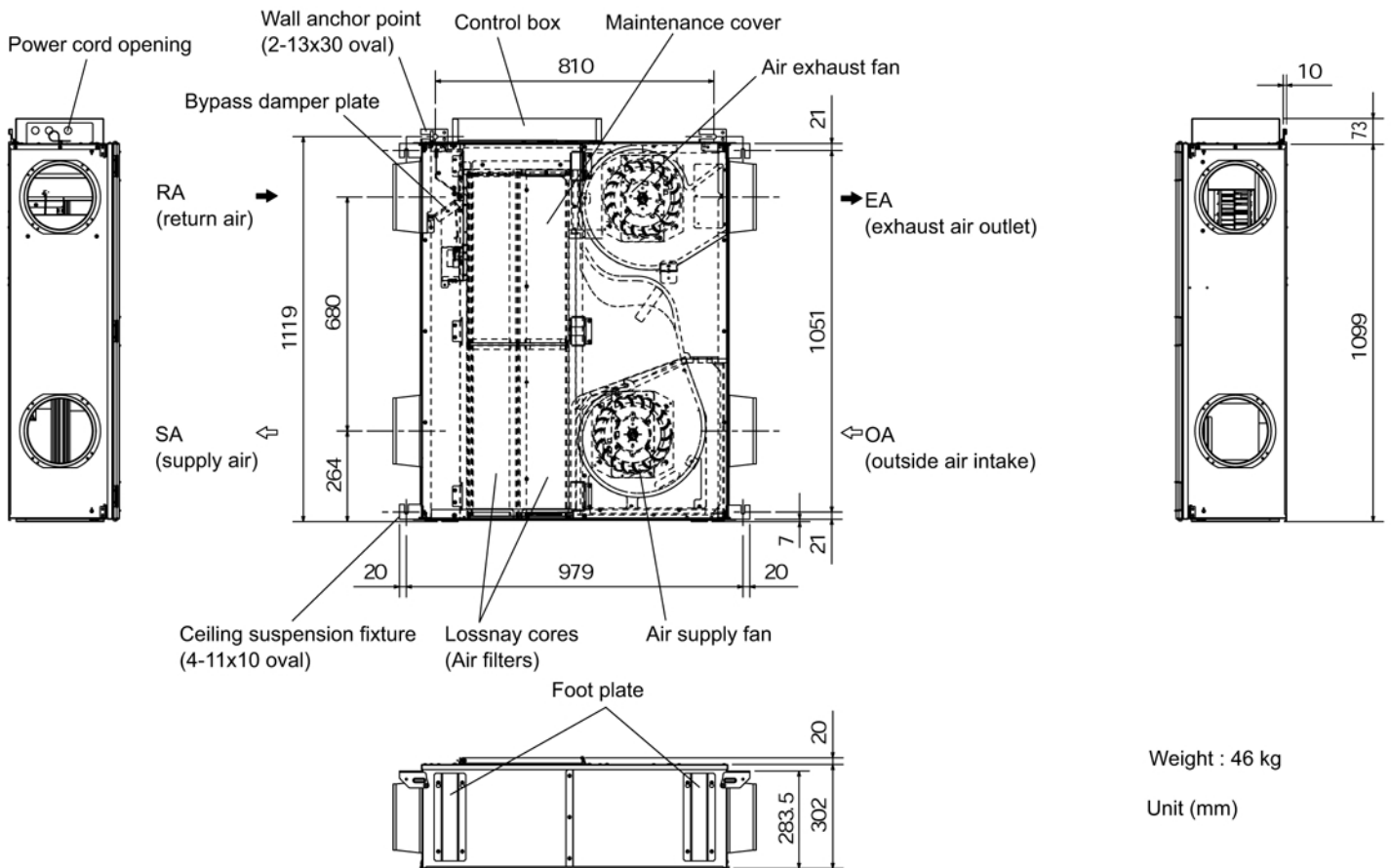


Dimensions



Accessory parts

- Mounting screws.....x24
- Duct connecting flanges.....x4
(double flanges at SA and EA sides)



Weight : 46 kg

Unit (mm)