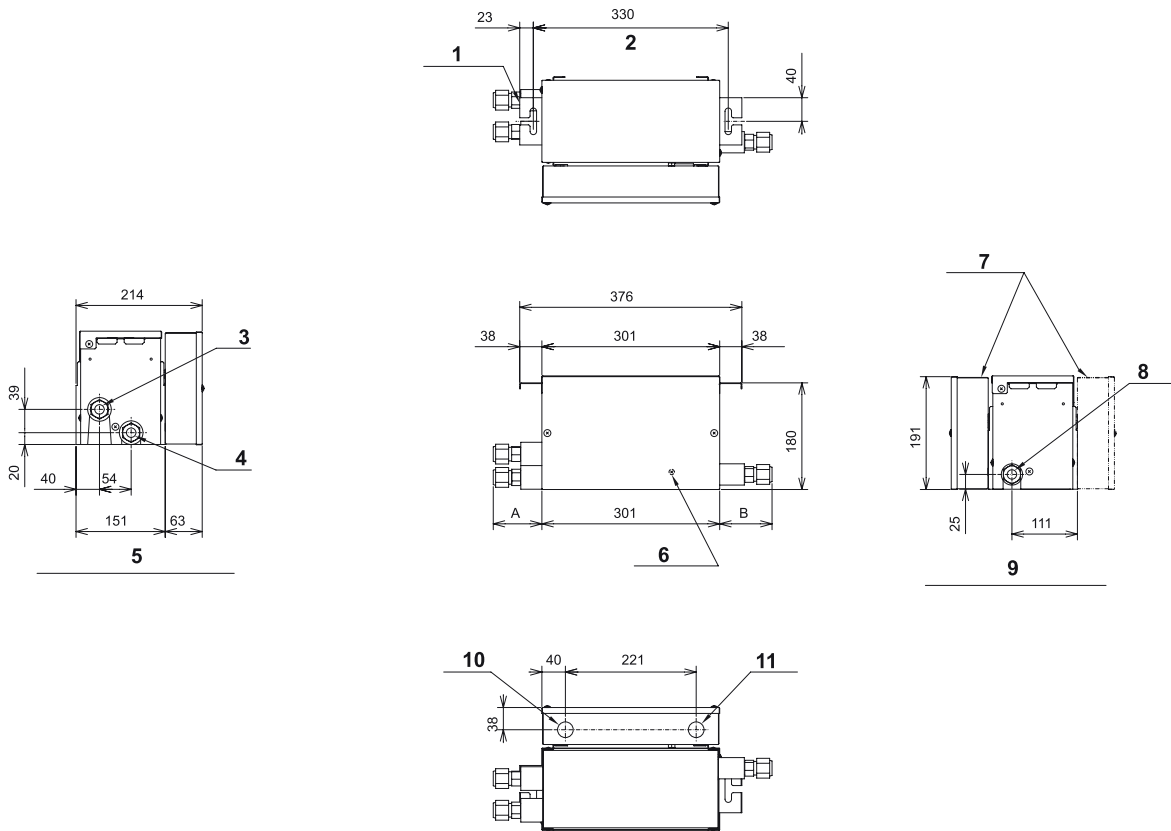


7.3 CH-(6.0-10.0)N1 dimensions



No.	Part	No.	Part
1	Suspension bracket 2-11x34	7	Electrical box (available on both sides)
2	For suspension bolts	8	CH-6.0N1: Refrigerant gas (ø15.88 Flare nut) CH-10.0N1: Refrigerant gas (ø19.05 Flare nut)
3	CH-6.0N1: Refrigerant gas (Low pressure) (ø15.88 Flare nut) CH-10.0N1: Refrigerant gas (Low pressure) (ø19.05 Flare nut)	9	Indoor unit connection side
4	CH-6.0N1: Refrigerant gas (High pressure) (ø15.88 Flare nut) CH-10.0N1: Refrigerant gas (High pressure) (ø19.05 Flare nut)	10	Electric connection for control (ø20)
5	Outdoor unit connection side	11	Electric connection for power supply (ø20)
6	Earthing (M5) (in electrical box)		

Model	A	B
CH-6.0N1	82	89
CH-10.0N1	89	96

All dimensions in mm.