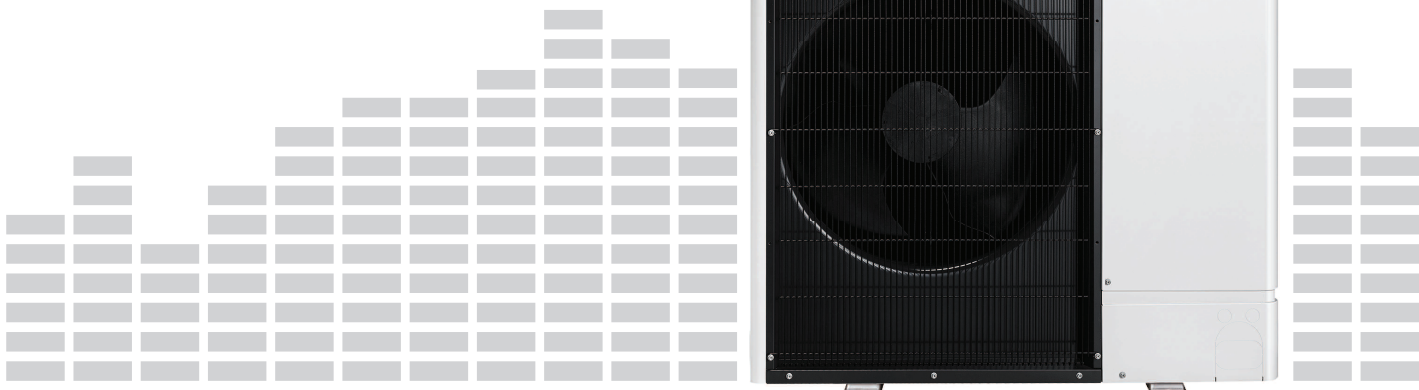


PUHZ-W-VAA

Product Information

# Ultra Quiet Ecodan



**3 Times Quieter** than previous equivalent models,  
virtually eliminating planning restrictions



**58** dB(A)  
Sound Power  
Level



**45** dB(A)  
Sound Pressure  
Level at 1m

Our market leading Ecodan air source heat pumps are designed to provide a home with reliable, trouble free renewable heating and hot water.

## The New Ultra Quiet Ecodan takes air source heat pumps to the next level

These new models offer superb style, market leading energy efficiency and sound levels. Designed especially for residential applications the 8.5kW and 11.2kW units are **3 times quieter than previous models, virtually eliminating planning restrictions.**



Typical sound pressure levels:



120dB(A)



80dB(A)



60dB(A)



40dB(A)

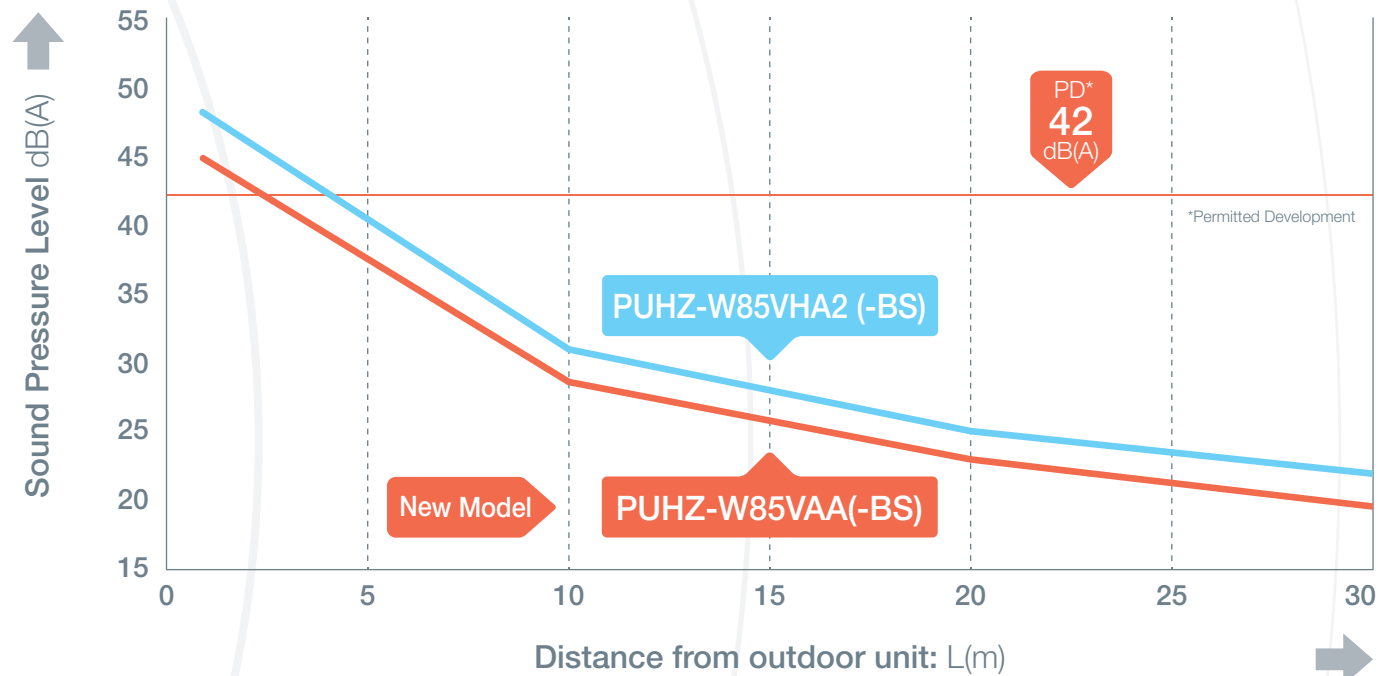
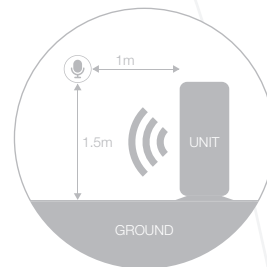
This means the Ultra Quiet Ecodan has a sound pressure level similar to a **Library.**

# Estimated Noise Levels

Based on the distance from the outdoor unit

## Annotation and Measurement Condition

1. Sound data was measured once unit operation was stable.
2. Sound reflection from ground and surrounding walls is not considered.



## Low Sound = Heat Pump Placement Flexibility

One of the regulations under **Permitted Development**, is that the sound pressure level of an air source heat pump must not exceed 42dB(A) 1m from the neighbours nearest room (Assessment Position).

With class leading **sound power levels of just 58dB(A)**, the Ultra Quiet Ecodan air source heat pump can be located much closer to the assessment position and **pass planning**.

This ultra quiet performance means you can now choose the most convenient location for your Ecodan, causing no disturbance to neighbours.



[ultraquietecodan.co.uk](http://ultraquietecodan.co.uk)





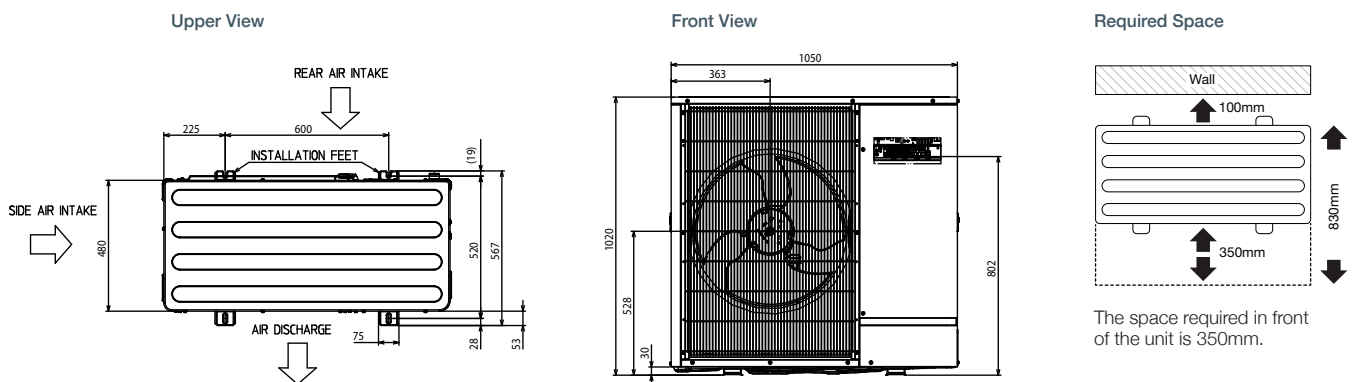
PUHZ-W85VAA: MCS Ref: HP0002/45  
 PUHZ-W85VAA-BS: MCS Ref: HP0002/46  
 PUHZ-W112VAA: MCS Ref: HP0002/47  
 PUHZ-W112VAA-BS: MCS Ref: HP0002/48



OUTDOOR UNIT		PUHZ-W85VAA(-BS)	PUHZ-W112VAA(-BS)
HEAT PUMP SPACE HEATER - 55°C	ErP Rating	A++	A++
	$\eta_s$	137%	133%
	SCOP	3.50	3.40
HEAT PUMP SPACE HEATER - 35°C	ErP Rating	A++	A++
	$\eta_s$	171%	170%
	SCOP	4.35	4.34
HEAT PUMP COMBINATION HEATER - Large Profile <sup>1</sup>	ErP Rating	A	A
	$\eta_{wh}$	104%	100%
HEATING <sup>2</sup> (A-3/W35)	Capacity (kW)	8.3	11.0
	Power Input (kW)	2.86	3.73
	COP	2.90	2.95
OPERATING AMBIENT TEMPERATURE (°C DB)		-20 ~ +35°C	-20 ~ +35°C
SOUND DATA <sup>3</sup>	Pressure Level at 1m (dBA)	45	47
	Power Level (dBA) <sup>4</sup>	58	60
	Water Pressure Drop (kPa)	16.1	24.4
WATER DATA	Pipework Size (mm)	28	28
	Flow Rate (l/min)	25.8	32.1
	Water Pressure Drop (kPa)	16.1	24.4
	Height	1020	1020
DIMENSIONS (mm) <sup>7</sup>			
WEIGHT (kg)		97	118
ELECTRICAL DATA	Electrical Supply	220-240v, 50Hz	220-240v, 50Hz
	Phase	Single	Single
	Nominal Running Current [MAX] (A)	9.1 [22.0]	10.9 [28.0]
	Fuse Rating - MCB Sizes (A) <sup>6</sup>	25	32
REFRIGERANT CHARGE (kg) / CO <sub>2</sub> EQUIVALENT (t)	R410A (GWP 2088)	2.4/5.01	3.3/6.89

<sup>1</sup> Combination with EHPT20X-MHCW Cylinder. <sup>2</sup> Under normal heating conditions at outdoor temp: -3°CDB / -4°CWB, outlet water temp 35°C, inlet water temp 30°C. <sup>3</sup> Under normal heating conditions at outdoor temp: 7°CDB / 6°CWB, outlet water temp 55°C, inlet water temp 47°C as tested to BS EN14511. <sup>4</sup> Sound power level tested to BS EN12102. <sup>5</sup> MCB Sizes BS EN60898-2 & BS EN60947-2. <sup>6</sup> Flow Temperature Controller (FTC) for standalone systems PAC-FO62B-E Dimensions WxDxH (mm) - 520x150x450. <sup>7</sup>  $\eta_s$  is the seasonal space heating energy efficiency (SSHEE)  $\eta_{wh}$  is the water heating energy efficiency

Product Dimensions PUHZ-W85 / 112VAA(-BS)



Telephone: 01707 278666  
 email: heating@meuk.mee.com  
 web: heating.mitsubishielectric.co.uk

UNITED KINGDOM Mitsubishi Electric Europe Living Environment Systems Division  
 Travellers Lane, Hatfield, Hertfordshire, AL10 8XB, England General Enquiries Telephone: 01707 282880 Fax: 01707 278881  
 IRELAND Mitsubishi Electric Europe Westgate Business Park, Ballymount, Dublin 24, Ireland  
 Telephone: Dublin (01) 419 8800 Fax: Dublin (01) 419 8890 International code: (003531)

Country of origin: United Kingdom - Japan - Thailand - Malaysia. ©Mitsubishi Electric Europe 2018. Mitsubishi and Mitsubishi Electric are trademarks of Mitsubishi Electric Europe B.V. The company reserves the right to make any variation in technical specification to the equipment described, or to withdraw or replace products without prior notification or public announcement. Mitsubishi Electric is constantly developing and improving its products. All descriptions, illustrations, drawings and specifications in this publication present only general particulars and shall not form part of any contract. All goods are supplied subject to the Company's General Conditions of Sale, a copy of which is available on request. Third-party product and brand names may be trademarks or registered trademarks of their respective owners.

Note: The fuse rating is for guidance only. Please refer to the relevant databook for detailed specification. It is the responsibility of a qualified electrician/electrical engineer to select the correct cable size and fuse rating based on current regulation and site specific conditions. Mitsubishi Electric's air conditioning equipment and heat pump systems contain a fluorinated greenhouse gas, R410A (GWP:2088), R32 (GWP:675), R407C (GWP:1774) or R134a (GWP:1430). \*These GWP values are based on Regulation (EU) No 517/2014 from IPCC 4th edition. In case of Regulation (EU) No.626/2011 from IPCC 3rd edition, these are as follows. R410A (GWP:1975), R32 (GWP: 550), R407C (GWP:1650) or R134a (GWP:1300).



Effective as of April 2018 SAP No. 338239



www.greengateway.mitsubishielectric.co.uk  
 Mitsubishi Electric UK's commitment to the environment

- Follow us @meuk\_Jes  
Follow us @green\_gateway
- Mitsubishi Electric Living Environmental Systems UK
- mitsubishielectric2
- thehub.mitsubishielectric.co.uk