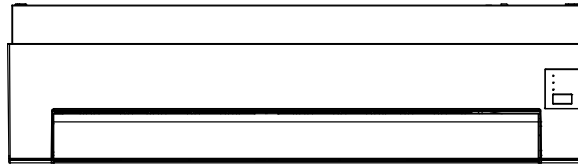


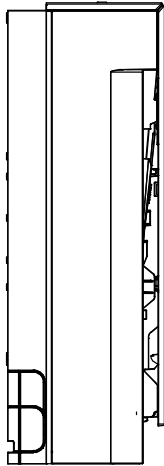
6. Dimensions

6.1 Indoor Unit

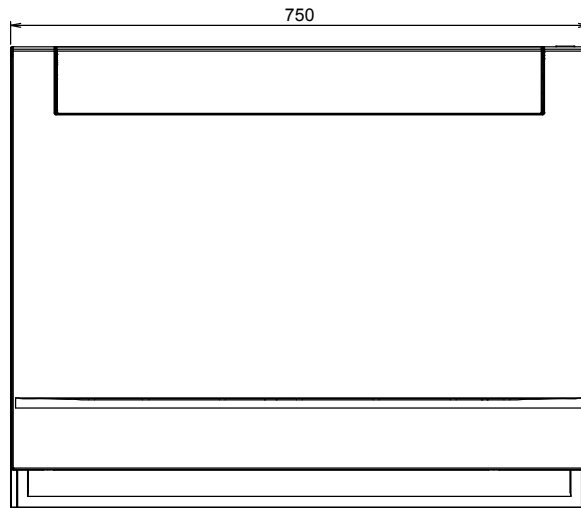
<Top View>



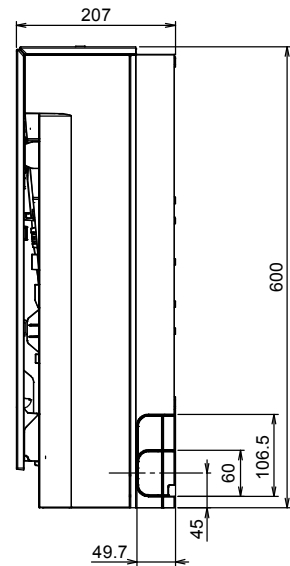
<Side View>



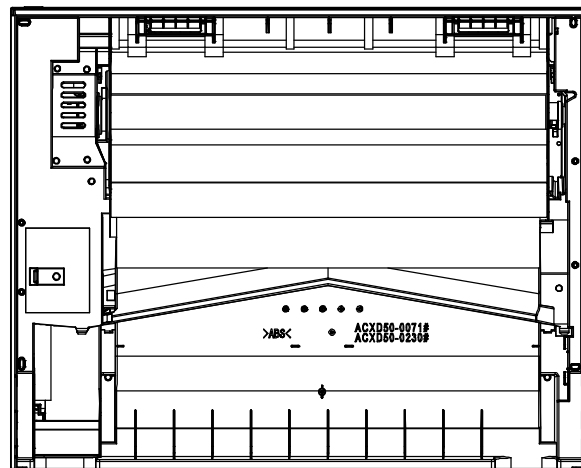
<Front View>



<Side View>



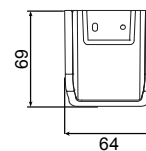
<Back View>



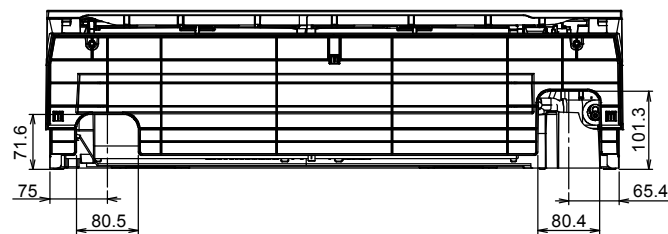
<Remote Control>



<Remote Control Holder>



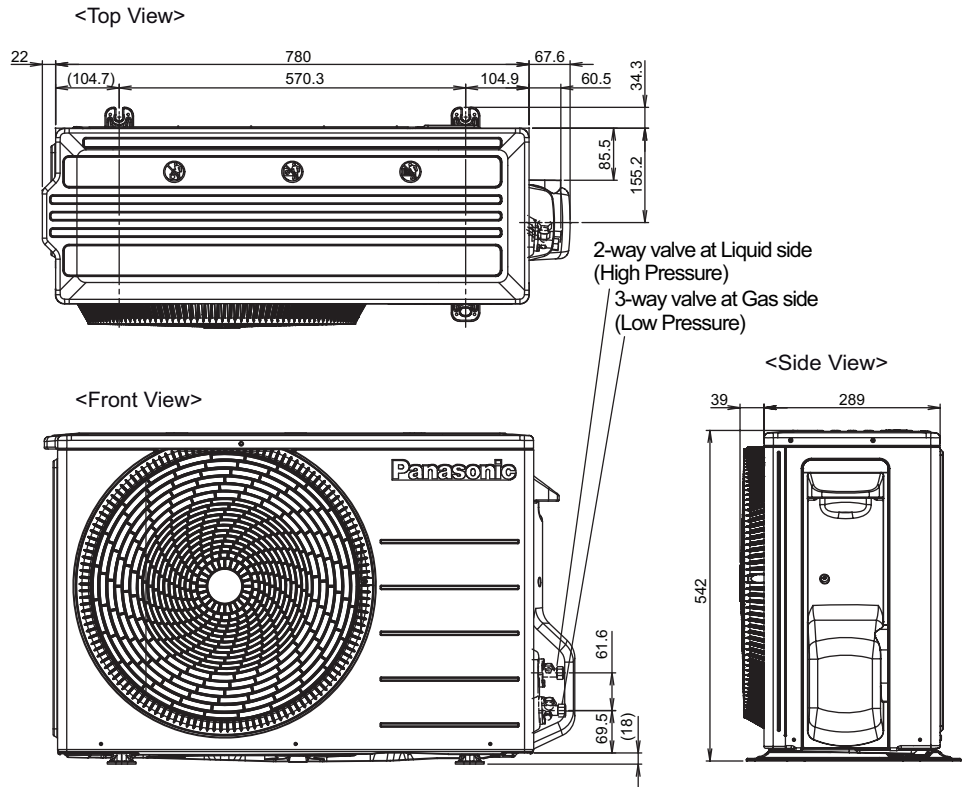
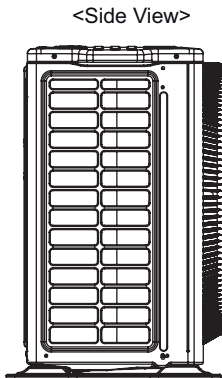
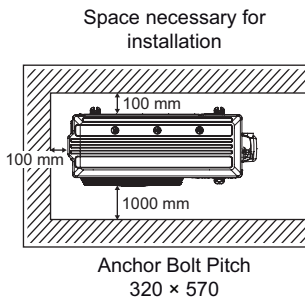
<Bottom View>



Unit : mm

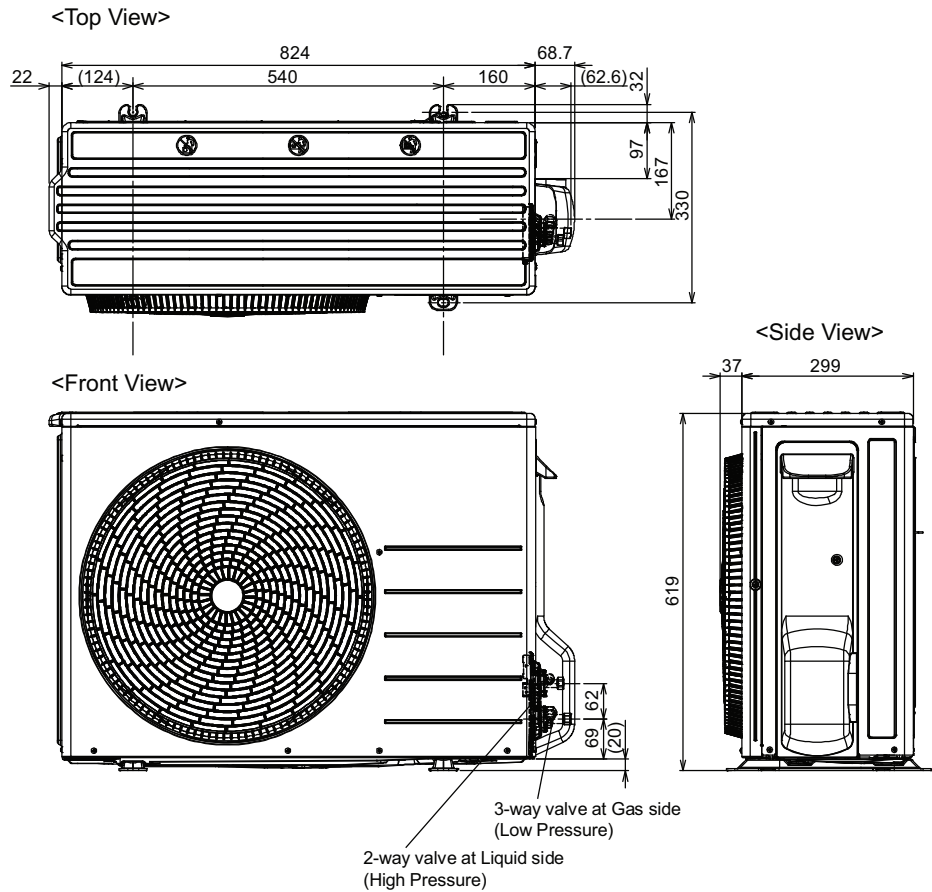
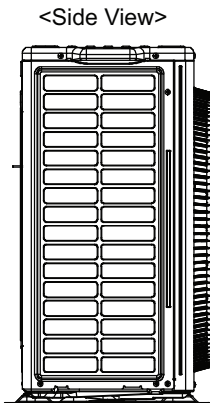
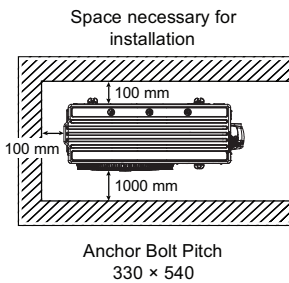
6.2 Outdoor Unit

6.2.1 CU-Z25UBEA



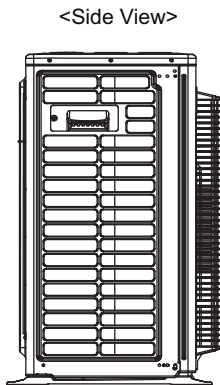
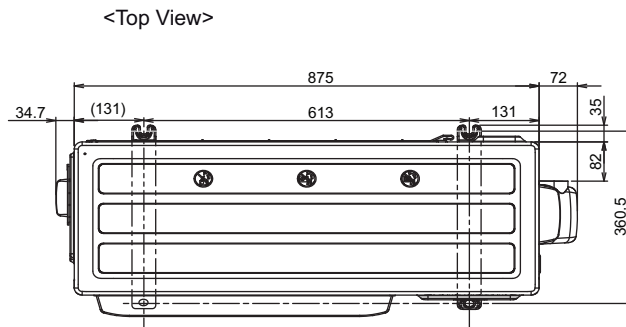
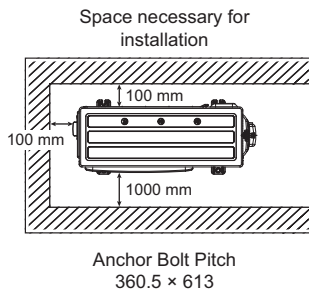
Unit: mm

6.2.2 CU-Z35UBEA

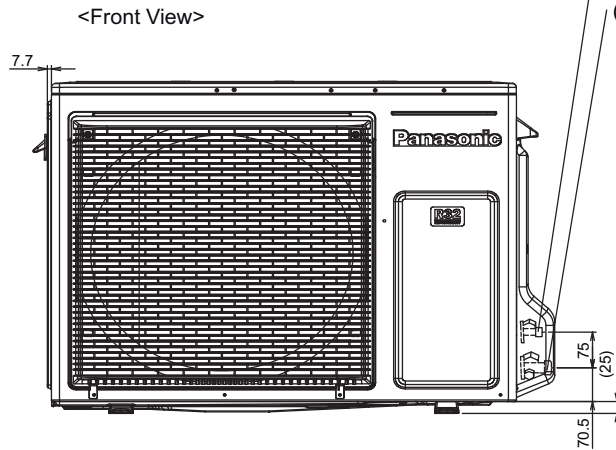


Unit : mm

6.2.3 CU-Z50UBEA



Unit: mm



2-way valve at Liquid side
(High Pressure)

3-way valve at Gas side
(Low Pressure)

