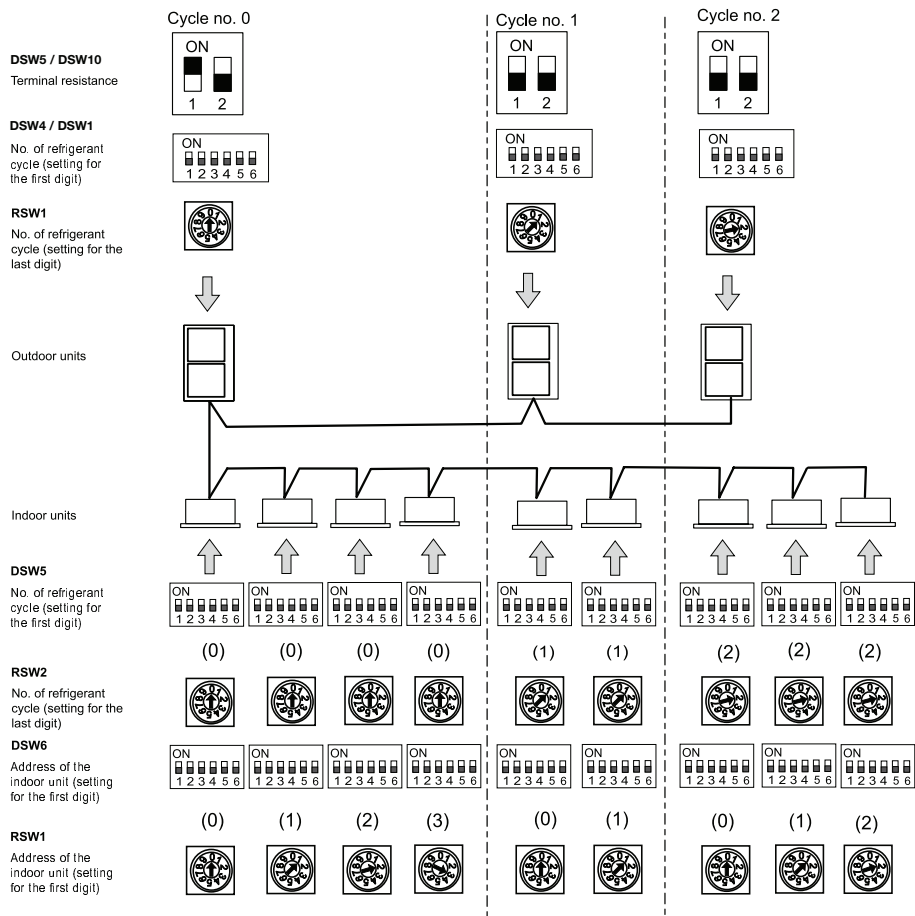


DIP Switches

Setting of DIP switches and RSW switches



Notes:

1. Turn off the power supply before setting the DIP switches. Otherwise, the switch settings are invalid.
2. To set the position of the RSW rotary switches, insert a screwdriver into the groove of the RSW.